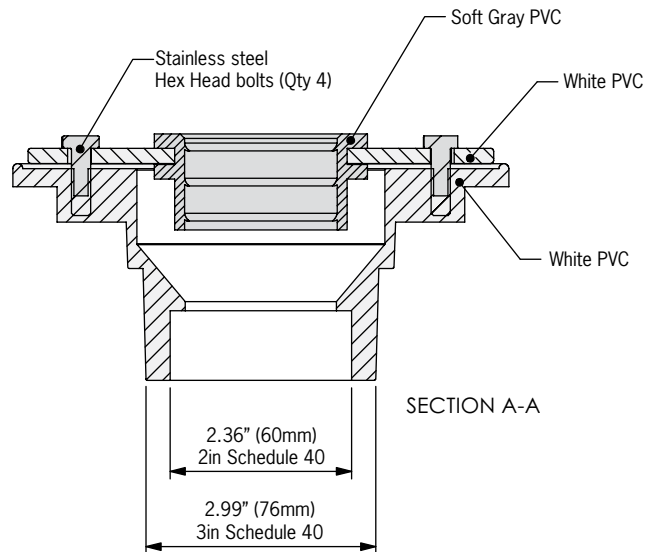
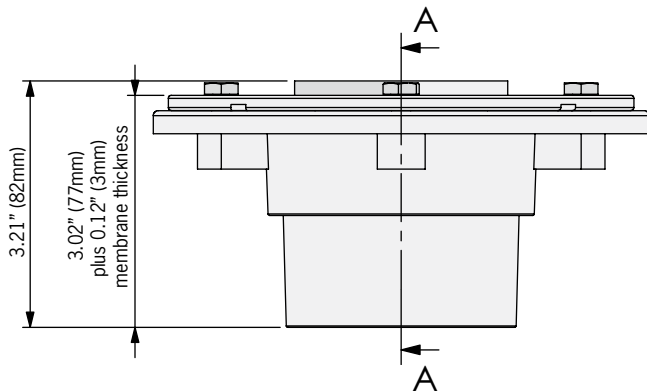
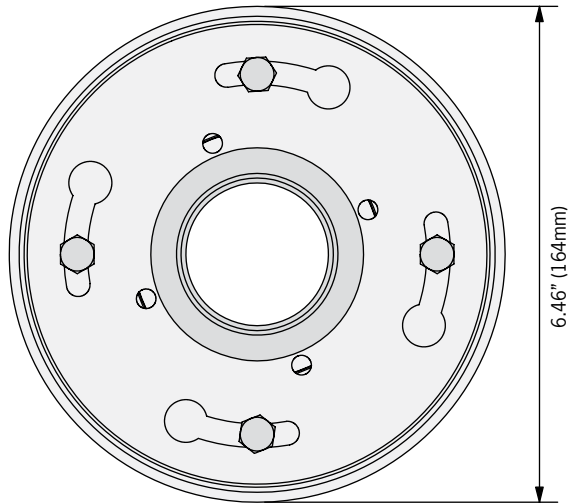
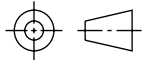


Shower Channel - CPE Membrane Coupling



Product Table

Description	Part No.	Weight
CPE membrane coupling	93871	1.1

ACO Polymer Products, Inc.

East Sales Office
 P.O. Box 245
 Chardon, OH 44024
 Tel: (440) 285-7000
 Toll free: (800) 543-4764
 Fax: (440) 285-7005

West Sales Office
 P.O. Box 12067
 Casa Grande, AZ 85130
 Tel: (520) 421-9988
 Toll Free: (888) 490-9552
 Fax: (520) 421-9899



Electronic Contact:
 info@QuARTzbyACO.com
 www.QuARTzbyACO.com

