

Minimalistic Rectangular Wall Mirror

MIRROR™
IMAGE

SPECIFICATIONS:

DESCRIPTION

MIRROR:

- 1 NON LIGHTED RECTANGULAR METAL BACKED, (FRAMELESS) MIRROR WITH 3 X MAGNIFICATION AND 3/16"Ø HANDLE

FRAME, ARM & BRACKET:

- BRACKET FOR WALL MOUNTING W/ COVER PLATE.
- 7" EXTENSION ARM WITH 180° ROTATION.

MIRROR ROTATES 180° AND TILTS 90° FOR VIEWING OPTIONS.

MATERIALS

MIRROR:

- OPTICAL GLASS.

FRAME, ARM & BRACKET:

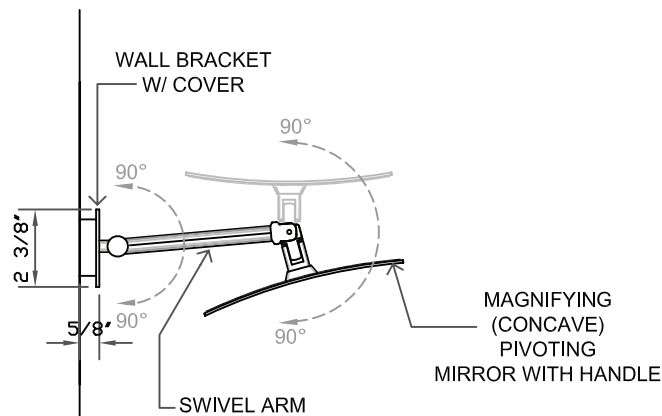
- BRASS OVER STEEL.
- FINISH: AS SELECTED PER MODEL NUMBER, LACQUER OVER NICKEL COATING.

WEIGHT:

1.6 lbs.

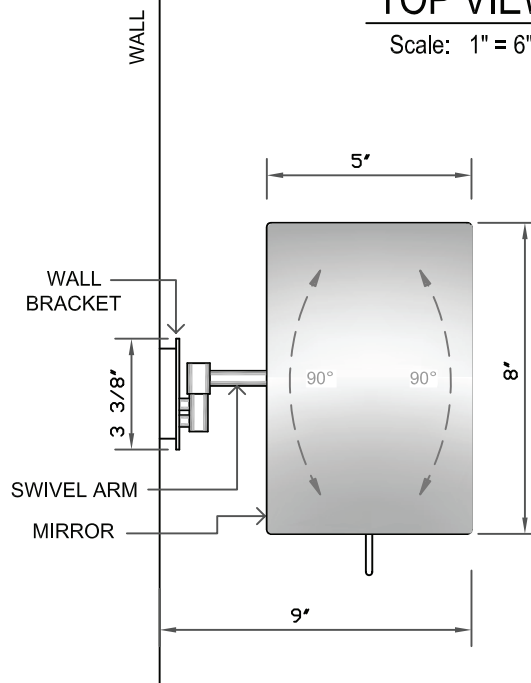
MODEL NUMBERS:

- 21843 - CHROME.
- 21873 - BRUSHED NICKEL.



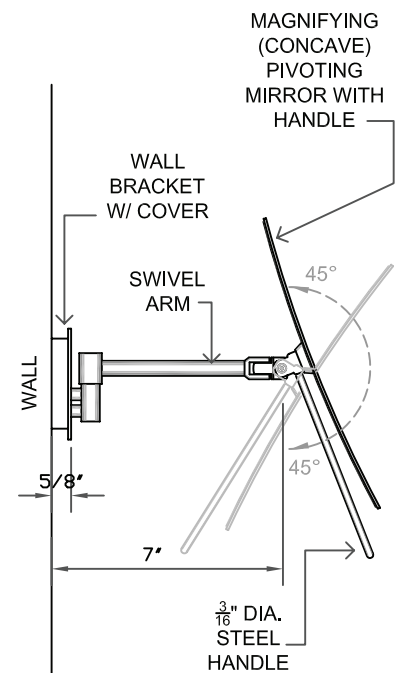
TOP VIEW

Scale: 1" = 6"



SIDE VIEW w/ MIRROR ROTATED

Scale: 1" = 6"



SIDE VIEW

Scale: 1" = 6"



CHANGING THE WAY YOU SEE YOURSELF

TM

© APTATIONS, INC
Copyright 2010



TM