

**FEATURES**

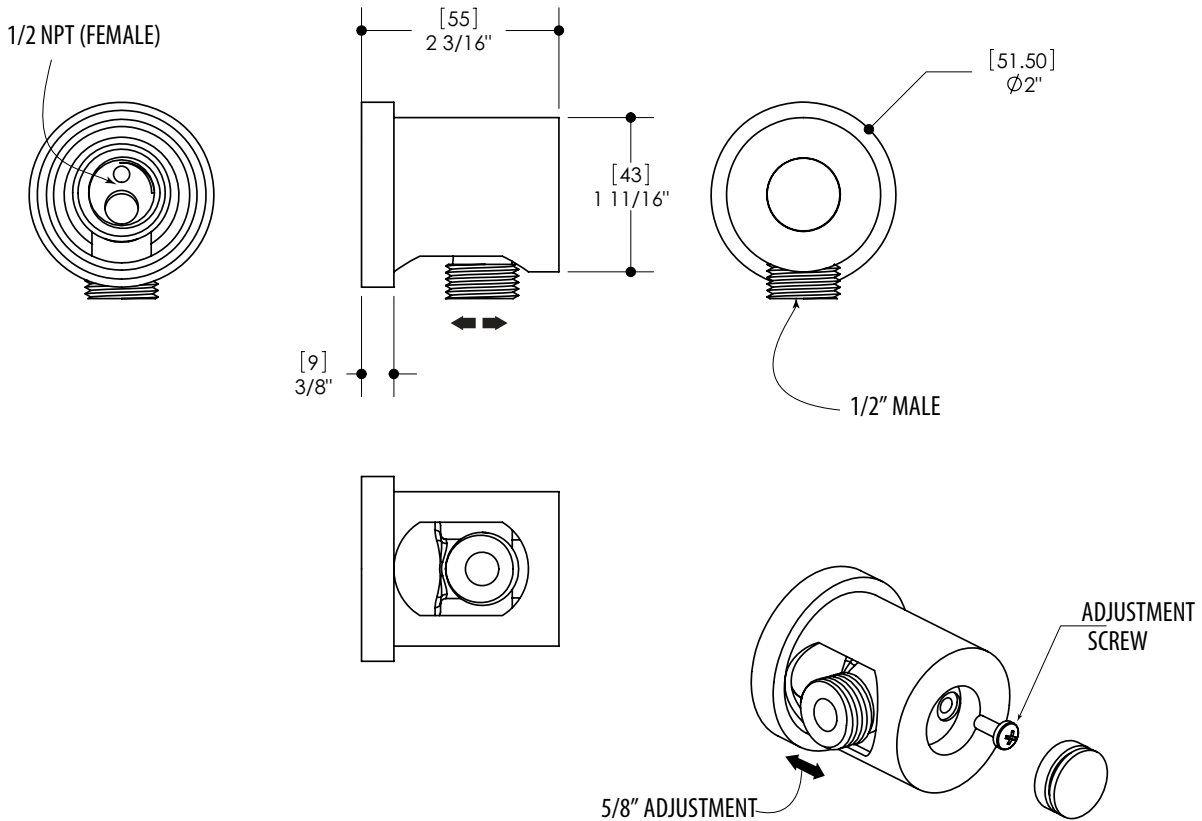
- Thermo insulation body
- 5/8" trim adjustment to elbow installation
- 1/2" NPT female connection

**FINISHES**

- Standard**
- Polished chrome (pc)
  - Brushed nickel (bn)
- Custom**
- 15 Custom finishes available
  - (ask your local Aquabraxs authorized dealer for details)

**WARRANTY**

Residential: Limited lifetime warranty to original purchaser  
 Commercial: Two years warranty  
 (Complete warranty available at [www.aquabraxs.com/warranty](http://www.aquabraxs.com/warranty))



EXPLOSION PARTS

---

