

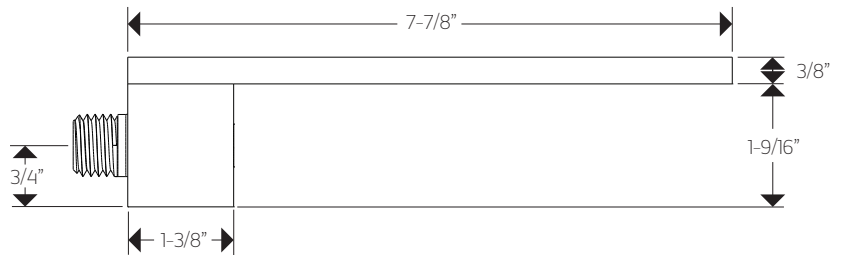
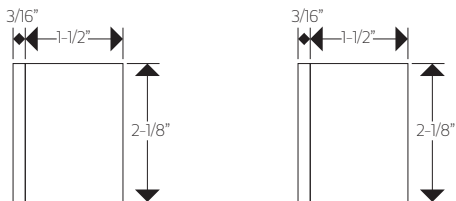
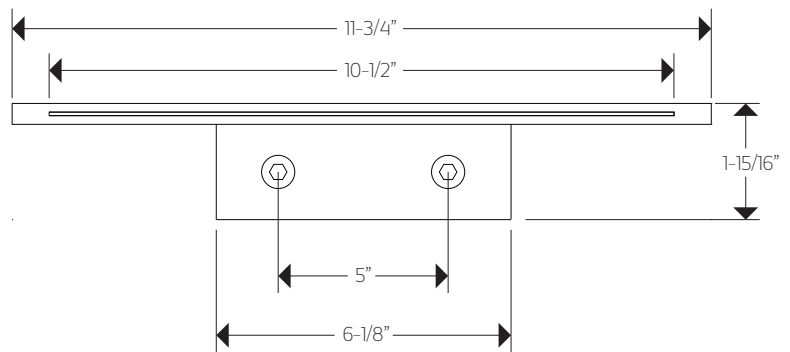
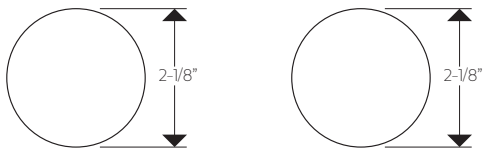


F302-7

TECHNICAL DATA SHEET

3-hole wall mount tub filler

r+s



artos[®]

F302-7

OPERATING SPECIFICATIONS

3-hole wall mount tub filler

r+s

MAX TEMPERATURE

Maximum: 176°F

OPERATING PRESSURE

Maximum: 125psi

Minimum: 20psi

Recommended: 30psi- 95psi

INLET/OUTLET TUB FILLER

1/2" Male NPT

FLOW CAPACITY CONTROLS

(F906A-V0) 5.6USGPM@60 psi

or

(F906A34-V0) 7.1USGPM@60 psi

INLET/OUTLET CONTROLS

(F906A-V0) 1/2" Female NPT

or

(F906A34-V0) 3/4" Female NPT

