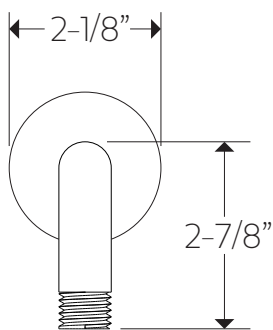
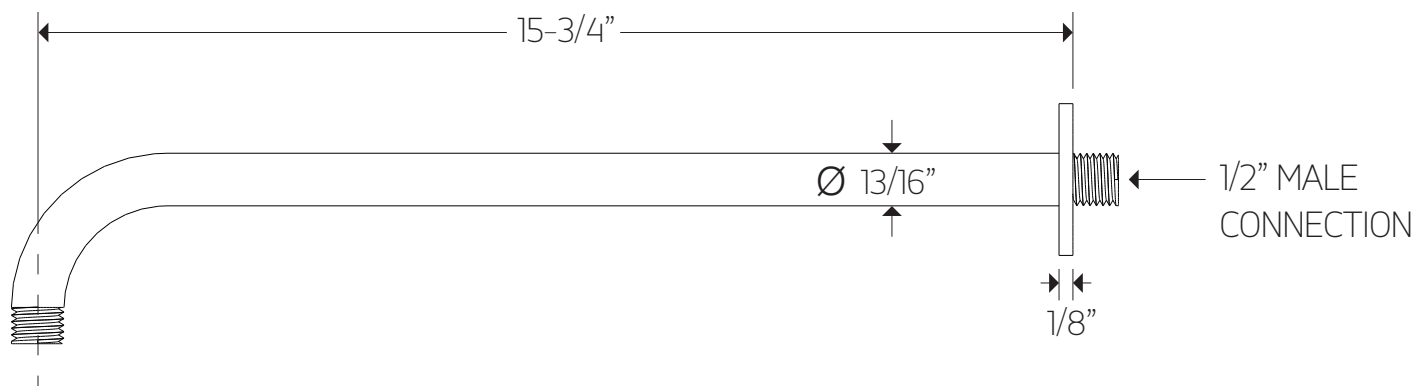


F902-1

TECHNICAL DATA SHEET

wall mount shower arm rnd



artos

F902-1

OPERATING SPECIFICATIONS

wall mount shower arm rnd

INLET/OUTLET

1/2" Male NPT- Wall Connections

