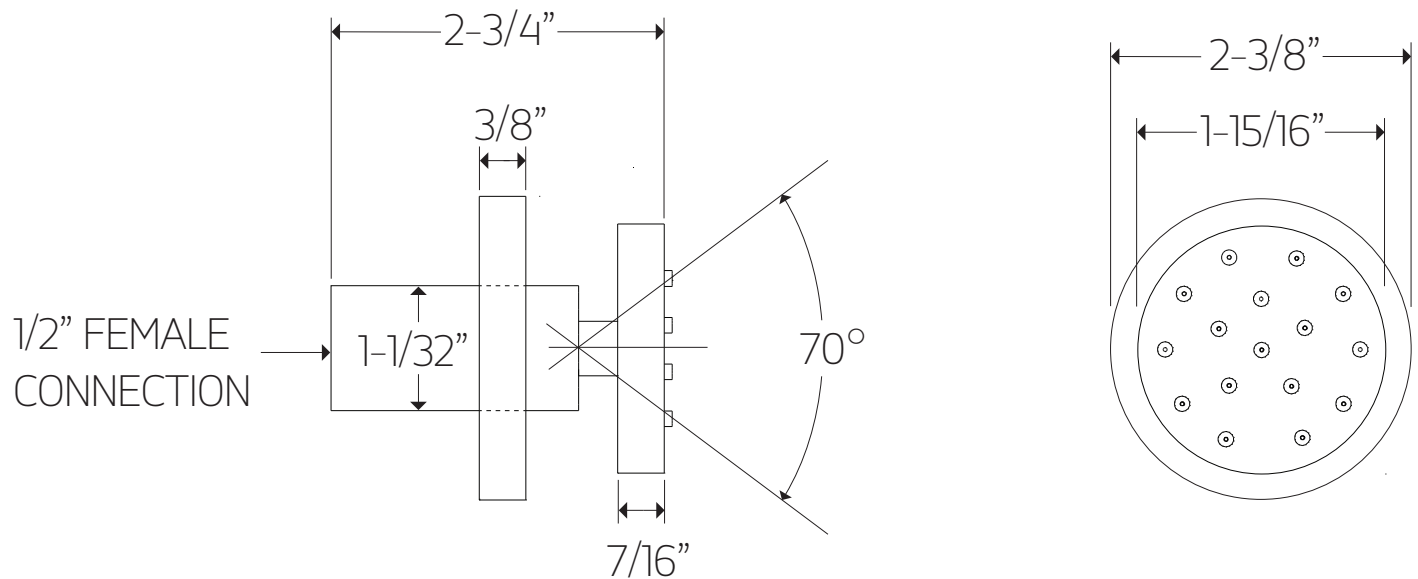




F905-2

## TECHNICAL DATA SHEET

body jet rnd



# artos

F905-2

body jet rnd

## OPERATING SPECIFICATIONS



### FEATURES

Easy Clean Nozzles  
70 Degree Rotation

### OPERATING PRESSURE

Minimum: 15 psi  
Maximum: 75 psi  
Above 90psi it may be necessary  
to install a pressure reducer

### OPERATING TEMPERATURE

Maximum: 176°

### FLOW RATE

2.0 USGPM

### INLET/OUTLET

1/2" Female

### REQUIREMENTS

This unit requires a control