

# Avanity

FWS1501CP / FWS1501BN  
FWS1501MG

## Features

- Lead free brass body
- Ceramic cartridge
- Metal lever handle
- With brass drain
- Waters saving 1.2 gpm max flow rate (4.5 L/min)(ASME A112.18.1M)

## Finishes

FWS1501CP	Chrome Finish
FWS1501BN	Brushed Nickel Finish
FWS17201MG	Matte Gold

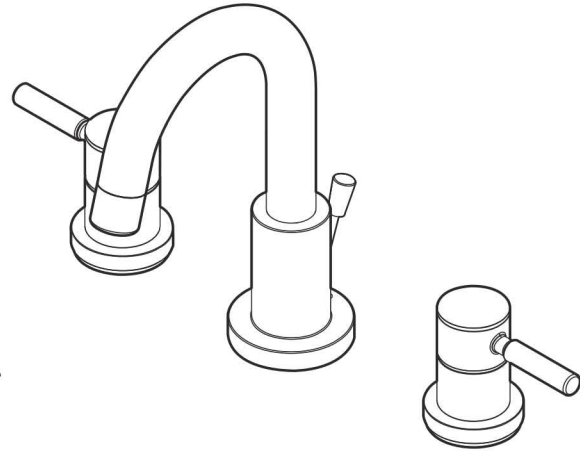
Approvals:  
Meets or exceeds the following:

- ASME A112.18.1M
- IAPMO/UPC



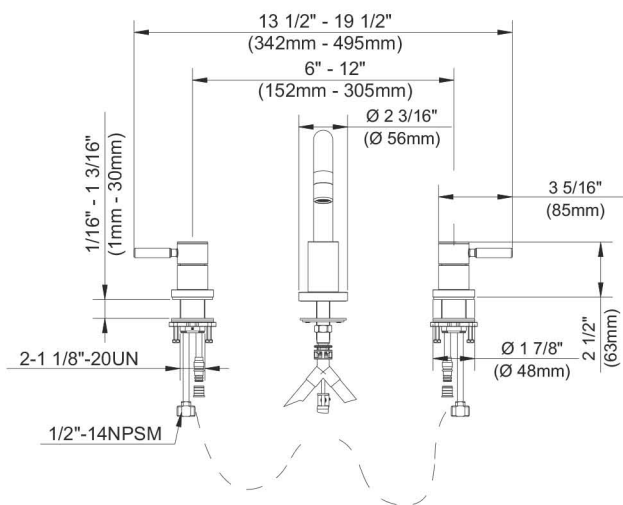
## Nominal Dimension

- Handle opened
- 342L x 149D x 196H (mm)
- Handle closed
- 152L x 149D x 196H (mm)



## Product Diagrams

Front



Side

