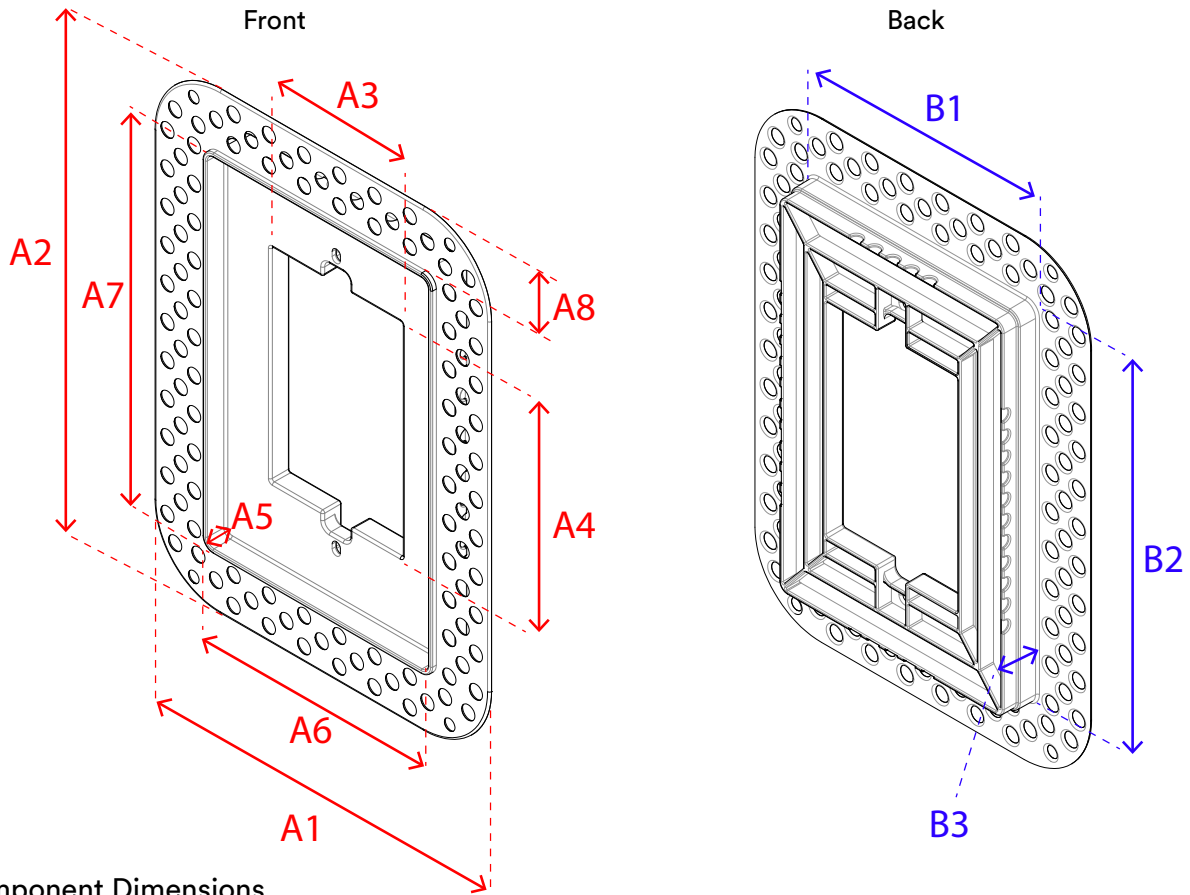




Flush Drywall Receptacle Mount [Lite] Specification Sheet



Component Dimensions

Imperial

Metric

	Inches		mm
A1	5"	A1	127mm
A2	6 ¹³ / ₁₆ "	A2	173mm
A3	2"	A3	51mm
A4	3"	A4	76mm
A5	1/4"	A5	6mm
A6	3 ⁵ / ₁₆ "	A6	84mm
A7	5 ¹ / ₁₆ "	A7	129mm
A8	1 ¹ / ₁₆ "	A8	27 mm
B1	3 ⁷ / ₁₆ "	B1	87mm
B2	5 ³ / ₁₆ "	B2	132mm
B3	7/16"	B3	11mm

Components

Single part, made from injection molded ABS. Allows user to install lightswitches and outlets flush with walls.

Corner bead edge to be fastened to surface and finished with drywall mud. Drywall bead fanges can be removed to use receptacle mount in millwork, tile & stone.