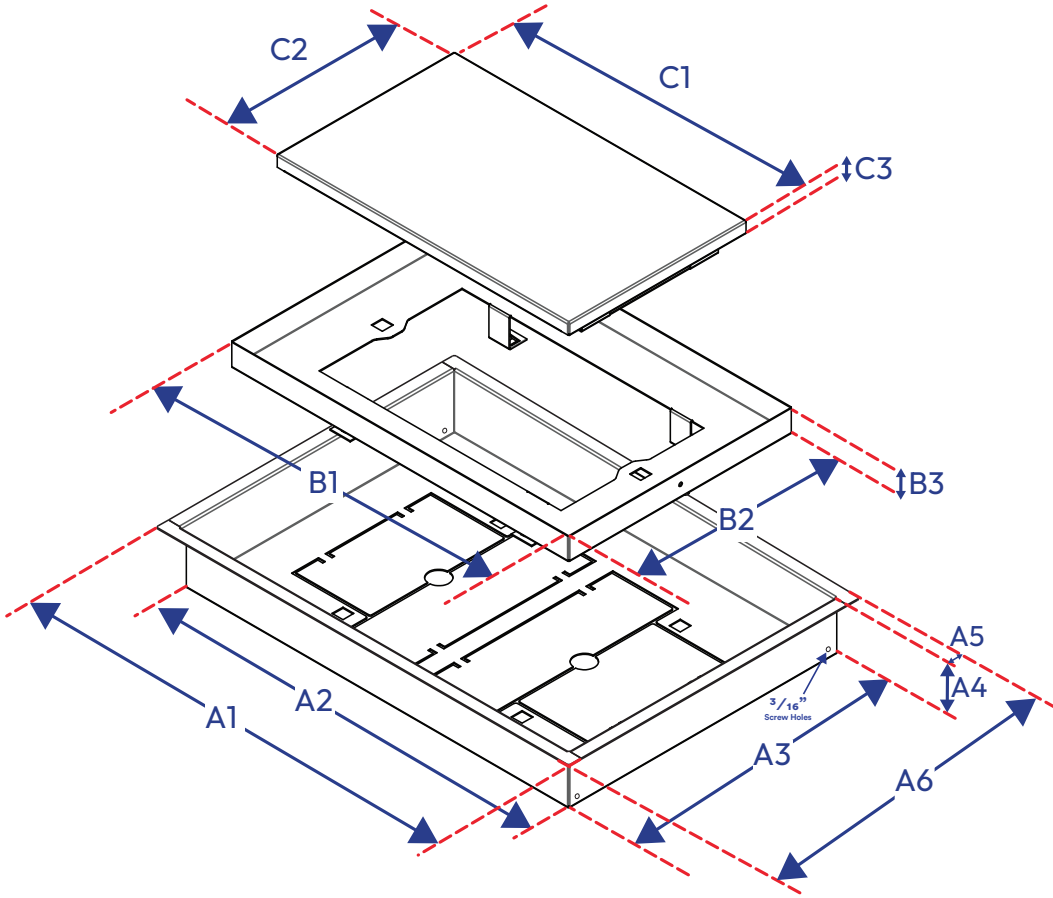


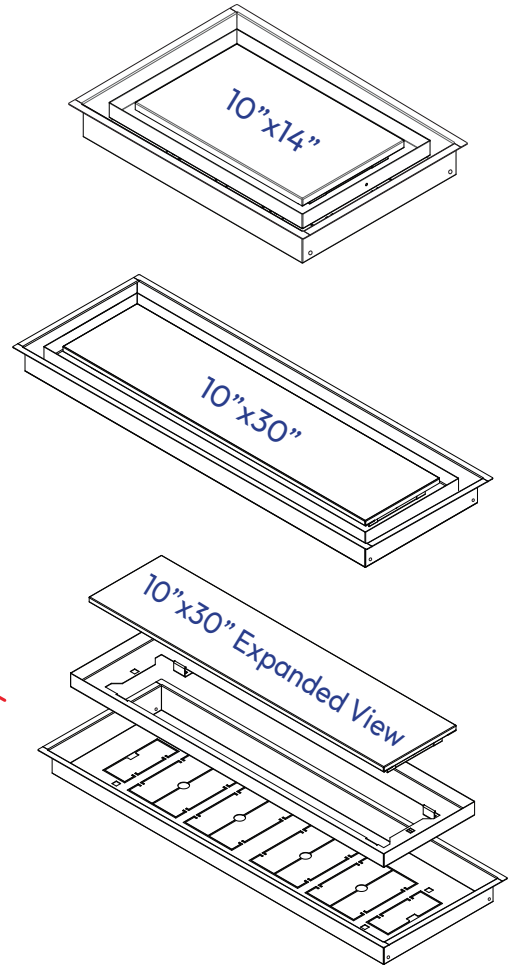


Framed Wall Vent [Luxe] High-Performance Specification Sheet

Perspective View



Assembled View



Component Dimensions

Size & Colour	10"X14"
Satin White	✓

Size & Colour	10"X30"
Satin White	✓

	Inches	MM
A1	15 5/16"	389mm
A2	14 1/16"	357mm
A3	9 15/16"	254mm
A4	1 3/4"	44 mm
A5	5/8"	16 mm
A6	11 1/4"	286 mm
B1	12 9/16"	319 mm
B2	8 1/4"	210 mm
B3	7/8"	22 mm
C1	10 15/16"	278 mm
C2	6 5/8"	168 mm
C3	7/16"	11 mm

	Inches	MM
A1	31 1/2"	800mm
A2	30 1/4"	768mm
A3	10"	254mm
A4	1 1/4"	32mm
A5	5/8"	16mm
A6	11 1/4"	286mm
B1	28 1/2"	724mm
B2	8 5/16"	211mm
B3	1 1/8"	29mm
C1	26 7/8"	683mm
C2	6 5/8"	165mm
C3	7/16"	11 mm

Components

Body: Made from galvaneal steel that has been powder coated white. Framed edge for easy drop-in install. No mud or sanding required. This serves as a base for Tray 1 and Tray 2. Please see installation guide for proper install methods.

Tray 1: The larger of the two trays, made from galvaneal steel that has been powder coated white. Can slide to remove to access air flow flanges. This component can be painted to any color. Please see installation guide for proper install methods.

Tray 2: The smallest of the three components, made from galvaneal steel and powder coated white. Serves as a smooth, flat surface that can be painted or wallpapered, before or after installation. Please see installation guide for proper install methods