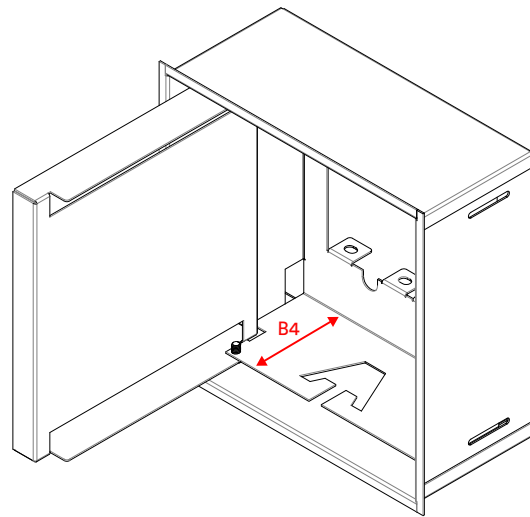
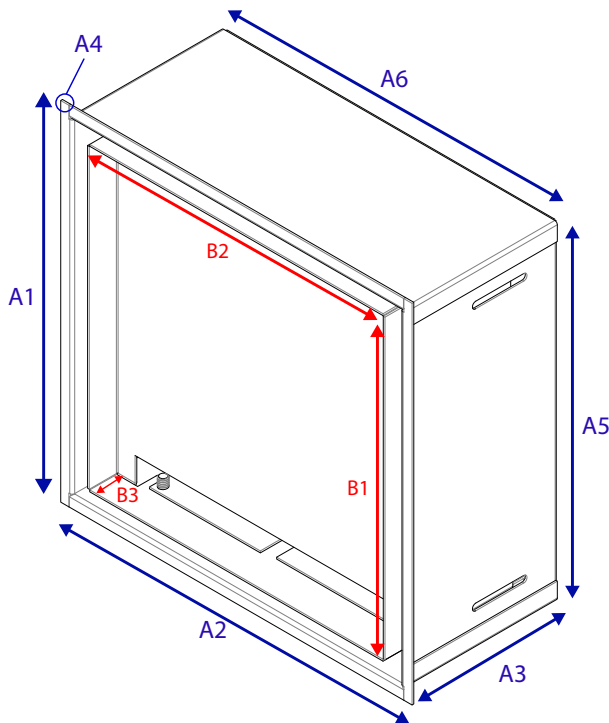




## No-See Receptacle Mount [Luxe] Specification Sheet



### Component Dimensions

	1 GANG		2 GANG	
	Inches	MM	Inches	MM
A1	6 <sup>3</sup> / <sub>8</sub> "	162mm	6 <sup>3</sup> / <sub>8</sub> "	162mm
A2	4 <sup>3</sup> / <sub>8</sub> "	111mm	6 <sup>3</sup> / <sub>8</sub> "	162mm
A3	2 <sup>3</sup> / <sub>4</sub> "	70mm	2 <sup>3</sup> / <sub>4</sub> "	70mm
A4	1/ <sub>32</sub> "	0.8mm	1/ <sub>32</sub> "	0.8mm
A5	6"	152mm	6"	152mm
A6	4 <sup>1</sup> / <sub>32</sub> "	102mm	6 <sup>1</sup> / <sub>16</sub> "	154mm
B1	5 <sup>5</sup> / <sub>16</sub> "	135mm	5 <sup>5</sup> / <sub>16</sub> "	135mm
B2	3 <sup>5</sup> / <sub>16</sub> "	84mm	5 <sup>5</sup> / <sub>16</sub> "	135mm
B3	1/ <sub>2</sub> "	13mm	1/ <sub>2</sub> "	13mm
B4	2 <sup>1</sup> / <sub>8</sub> "	54mm	2 <sup>1</sup> / <sub>8</sub> "	54mm

### Components

Constructed out of rust resistant galvalume steel, coated with a durable powdercoat finish in white or black

**Door:** Secure finished surface material with adhesive for flush install.

**Body:** Allows you to discreetly conceal your light switches & outlets. "A" shaped cutouts allow for outlets to remain in use while the door is closed.

### Compatible Surface Materials

Maximum thickness 1/2". Tile, mosaic, hardwood, laminate, drywall, etc.

### Install Notes

Drop in install, suitable for new builds or retrofit into your existing space.