

## AXOR MyEdition

### 3-hole basin mixer 70 with push-open waste set

Surfaces: **Chrome/Black Glass** Article Number: **47050601**



#### Description

##### product features

- ComfortZone 70
- projection 151 mm
- plate of glass made of safety glass
- spray type: PowderRain
- flow rate at 3 bar: 4.5 l/min
- ceramic valves hot/ cold 90°
- with isolated water conduction
- suitable for continuous flow water heaters
- connection type: G 3/8 connections
- connection dimension: DN15
- ADA/IAPMO/3016
- CEC/California/Watersaving
- cUPC/IAPMO/3016/Lavs/1,2gpm
- DOE/FTC
- WaterSense/IAPMO/5921/Lavs
- NSF372(LL)/Iapmo/6738-(No NSF Logo!)
- NSF61/IAPMO/N3016-(No NSF Logo!)
- TECQ/Texas Registered

#### Technology



#### Product image

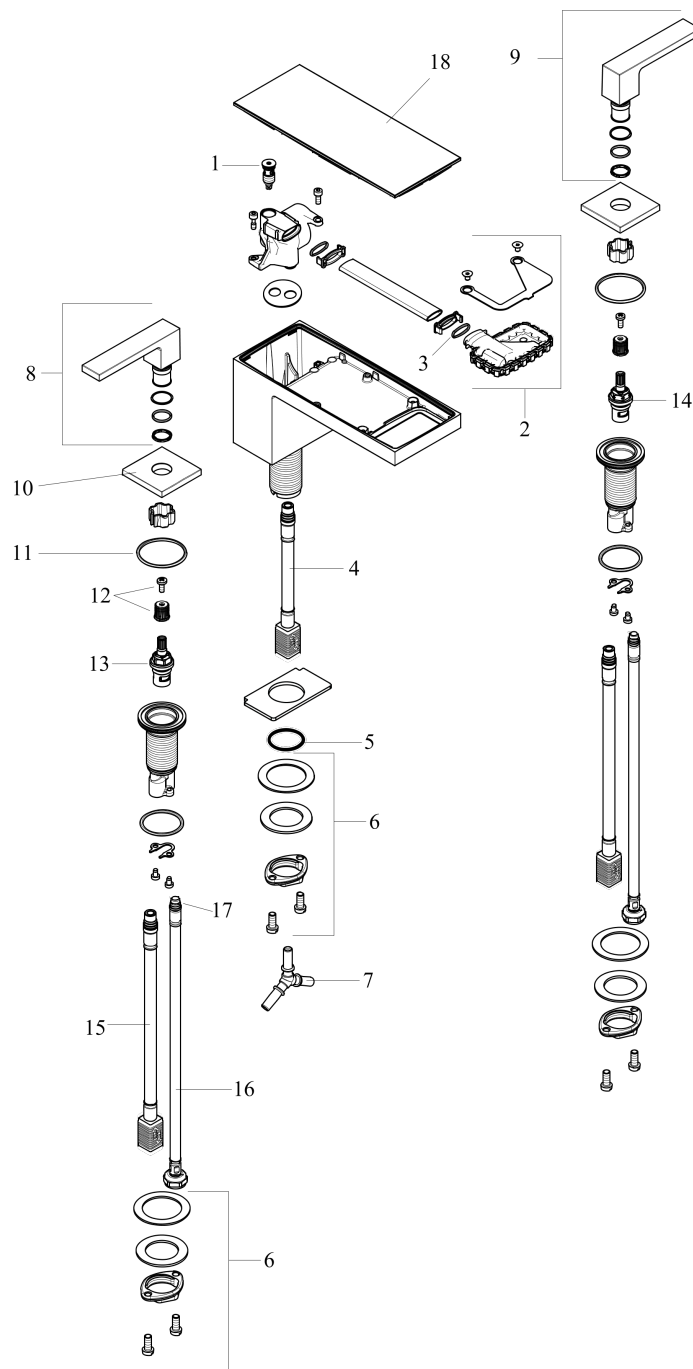


**AXOR MyEdition**  
**3-hole basin mixer 70 with push-open waste set**  
Surfaces: **Chrome/Black Glass** Article Number: **47050601**



## Exploded Drawing

Year of production: >02/19



**AXOR MyEdition**  
**3-hole basin mixer 70 with push-open waste set**  
 Surfaces: **Chrome/Black Glass** Article Number: **47050601**



## Spare part list

Year of production: >02/19

Pos.	Description	Article Number	PC	PU
1	spray former	93385000	0	1
2	O-ring 13x1,5	98475000	0	1
3	O-ring 8x1,75	97827000	0	1
4	connection hose 200 mm M10x1	92913000	0	1
5	O-ring 26x4	92191000	0	1
6	fixing set (Ø 28)	92909000	0	1
7	hose connection angel	92905000	0	1
8	handle for hot water	93379000	0	1
9	handle for cold water	93380000	0	1
10	escutcheon for handle	93381000	0	1
11	O-ring 33x2,5	92907000	0	1
12	handle fixing set	98932000	0	1
13	shut off unit right closing	98817001	0	1
14	shut off unit left closing	95366001	0	1
15	connection hose 400 mm M10x1	92914000	0	1
16	connection hose 18½" M8x0,75 3/8"	96321001	0	1
17	O-ring 7x1,5	98422000	0	1
18	cover	47900600	0	1