

# RADAM SQUARE ABOVE COUNTER BASIN

Cat. No  
5-326



Interior-view

Top Dimension:  $15\text{-}\frac{3}{4}\text{''}$  x  $15\text{-}\frac{3}{4}\text{''}$   
 Bottom Dimension:  $7\text{-}\frac{3}{4}\text{''}$  x  $7\text{-}\frac{5}{8}\text{''}$   
 Above counter height: 6"



Maintenance Kit

## Interior Dimensions:

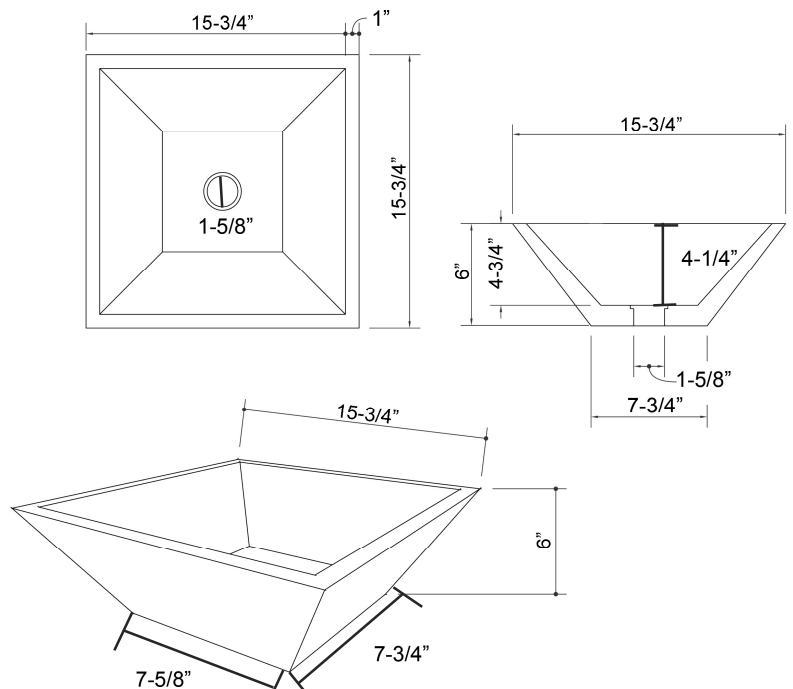
Basin Interior:  $14\text{''}$  x  $14\text{''}$   
 Basin Depth:  $4\text{-}\frac{1}{4}\text{''}$

## Features:

- ▶ Seamless concrete construction
- ▶ Above counter basin
- ▶ Maintenance Kit included
- ▶ Mold casted basin is finished by hand
- ▶ 3 Layer coating provides waterproof basin that guards against cracking or scratching
- ▶ 1" Rim
- ▶ No overflow
- ▶ Available in 3 colors
- ▶ To be used with Grid Drain # 5601 or Umbrella Drain #UD701 (Not included)

## Colors:

**CGC** Copper Green  
**CDG** Dusk Gray  
**CVB** Vintage Brown



Dimensions of fixture are nominal and may vary slightly. Dimensions and specifications subject to change without notice.