

ARIANNE WALL HUNG BASIN

Cat. No.
4-305X



Faucet not included



Back view



Mounting hardware

W: 19-3/4"
D: 16-3/4"
H: 6"

Back of basin to center of faucet: 2-1/2"
Back of basin to center of drain: 7-1/4"
Water depth 3-1/4" to overflow

Interior Dimensions:

Basin Interior: 15-1/8" x 10-1/2"
Basin Depth: 5"
Mount holes cc: 6-3/8"
Faucet and spout holes: 1-3/8"
Drain hole: 2"

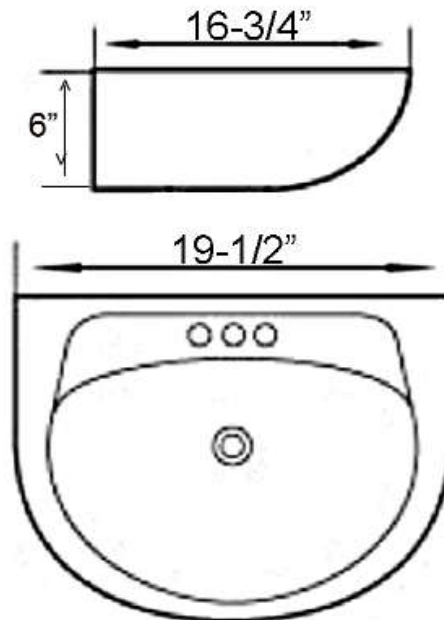
Features:

- ▶ Wall hung basin
- ▶ Made of vitreous china
- ▶ Mounting hardware included
- ▶ Available pre-drilled for single hole (4-3051), or 4" centerset (4-3054)
- ▶ Pre-drilled overflow

Colors:

White

Compliance Certification
Meets or exceeds the following specifications: ASME 12.19.2.2018 for vitreous china fixtures.



Dimensions of fixture are nominal and may vary within the range of tolerances established by ASME Standard A112.19.2.2018. Dimensions and specifications subject to change without notice.