

# CELINO 520 ABOVE COUNTER BASIN

Cat. No  
4-436



W: 21-3/4"  
D: 16-3/8"  
H: 5-5/8"

## Features:

- ▶ Rectangular above counter basin
- ▶ Vitreous china for durability
- ▶ No overflow
- ▶ Drain not provided
- ▶ Can be used with grid drain #5601 or umbrella drain # UD701 (Not included)

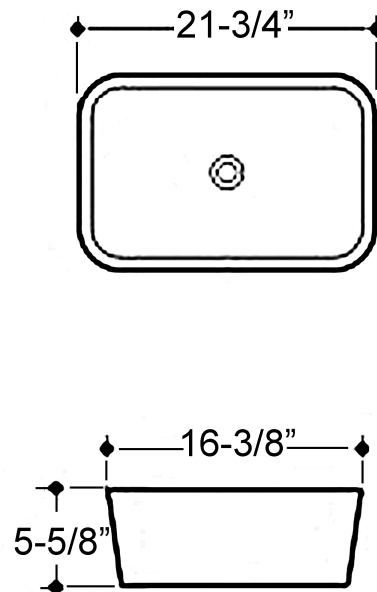
Colors:  
WH White

**Compliance Certification**  
Meets or exceeds the following specifications: ASME A112.19.2 2013 and CSA B45.1-13 for ceramic plumbing fixtures.

**\*Please do NOT drill hole without template or actual product.**

## Interior Dimensions:

Basin Interior: 20-1/8" x 14-1/2"  
Basin Depth: 4-1/2"



Dimensions of fixture are nominal and may vary within the range of tolerances established by AMSE Standard A112.19.2.2013 Dimensions and specifications subject to change without notice.