

BOCCHI®

CAMPINO UNO 24

UNDERMOUNT/DROP-IN
SINGLE BOWL GRANITE
KITCHEN SINK



Product Code

1606-XXX-0126

FEATURES:

- Granite Composition: 80% natural granite and quartz microparticles, 20% acrylic resin
- Sink is finished on lip and may be installed as an undermount OR drop-in
- Pre-drilled with a center set faucet hole; additional faucet holes are pre-scored from the underside of the sink and may be drilled per installation instructions as needed
- 3 1/2 inch center drain
- Chrome Strainer included
- Compatible with garbage disposals (not included)

WEIGHT: 29 lbs

AVAILABLE COLORS:

Matte Black (504)
Metallic Black (505)
Concrete Gray (506)

DIMENSIONS:

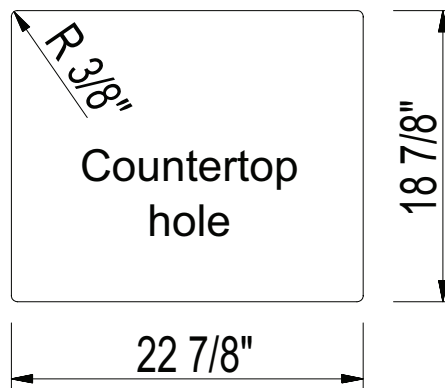
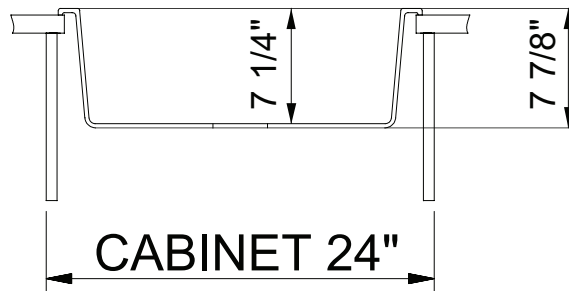
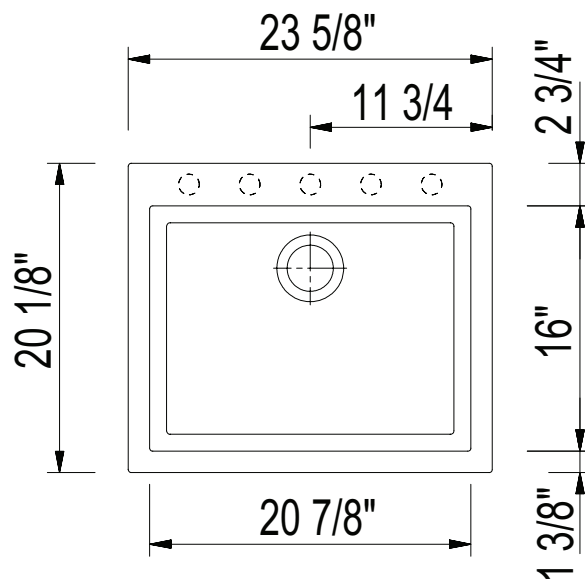
Nominal Dimensions
23 5/8" x 20 1/8" x 7 7/8"
Bowl Inside Dimensions
20 7/8" x 16" x 7 1/4"

COMPONENTS INCLUDED IN THE BOX:

2330 0005 Chrome Strainer
1600 0001 Undermount Installation Kit
1600 0002 Drop-In Installation Kit
1606 Installation Template

COMPLIANCE CERTIFICATIONS:

Meets or Exceeds ASME A112.19.15 / CSA
B45.5 / ANSI Z124.8



NOTES: Refer to installation instructions supplied with kitchen sink for undermount, or drop-in installations. Templates and installation kits provided with the sink.

CAUTION: Sink is heavy! Installer must provide adequate reinforcement for all load-bearing supports in accordance with installation instructions supplied with kitchen sink. Fittings included with the fixture and must be used as directed.

IMPORTANT: Dimensions of fixtures are nominal and may vary within the range of tolerance established by ANSI standards. These measurements are subject to change or cancellation. No responsibility is assumed for use of superseded or voided pages.