

Installation instructions

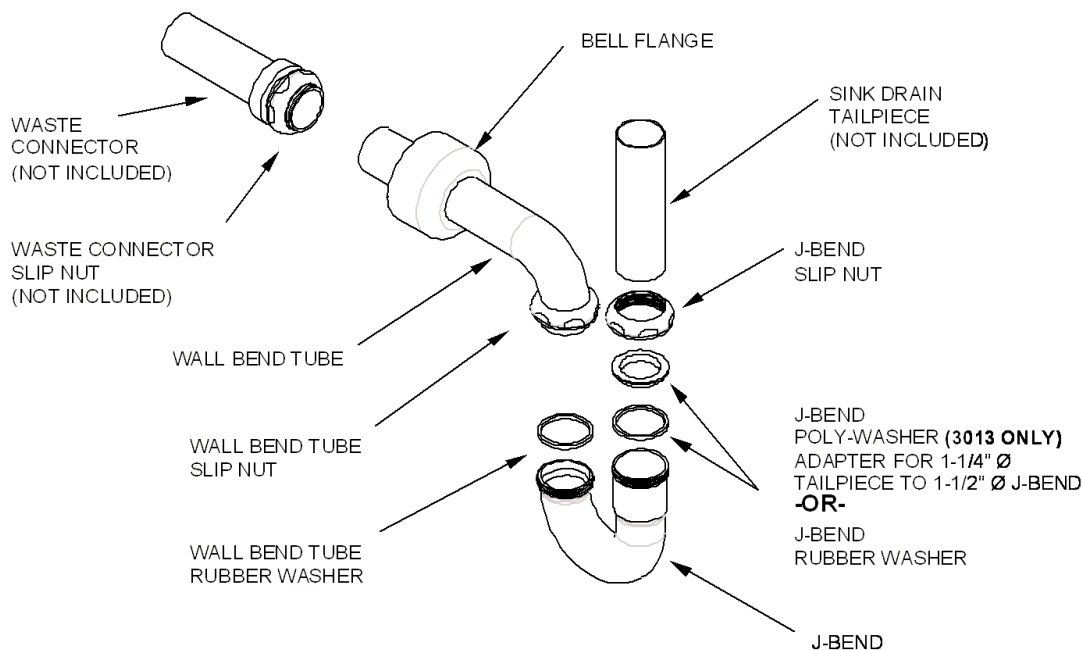
P-TRAP SUPPLY KIT

Model No. 3013P & 3014P



**These instructions are a guideline for a basic installation
Recommended Installation by a Professional Plumbing Contractor**

1. To find proper fit and alignment, loosen the wall bend slip nut and check the fit between tailpiece and waste connection. If necessary, adjust the sink drain tailpiece length to align with waste connection height requirements.
2. Disassemble wall bend tube from J-bend. Slide slip nut and appropriate washer onto tailpiece. Loosely hand-tighten J-bend to slip nut & tailpiece for later adjustment.
3. Insert wall bend tube at least 1/2" into waste connection and rotate J-bend for proper alignment and fit onto wall bend tube. If necessary, trim wall bend tube length.
4. Remove wall bend tube from waste connection and slide on the bell flange and waste slip nut.
5. Re-insert wall bend tube into waste connection.
6. Insert rubber washer on wall bend & secure wall bend slip nut to J-bend.
7. Secure waste slip nut to wall bend.
8. Slide bell flange flush to wall.
9. Secure slip nut to tailpiece.
10. Turn on water supply. If leaks appear, check alignment and carefully retighten.



Hand tightening all the slide nuts should provide a good seal to joints

Model no. 3013 contents: (1) 1-1/2" J-bend, (1) 1-1/2" Wall bend, (2) 1-1/2" Slip nuts, (2) 1-1/2" Rubber washers, (1) 1-1/4" Poly washer, (1) Bell flange

Model no. 3014 contents: (1) 1-1/4" J-bend, (1) 1-1/4" Wall bend, (2) 1-1/4" Slip nuts, (2) 1-1/4" Rubber washers, (1) Bell flange

Tools required: Hacksaw, measuring tape