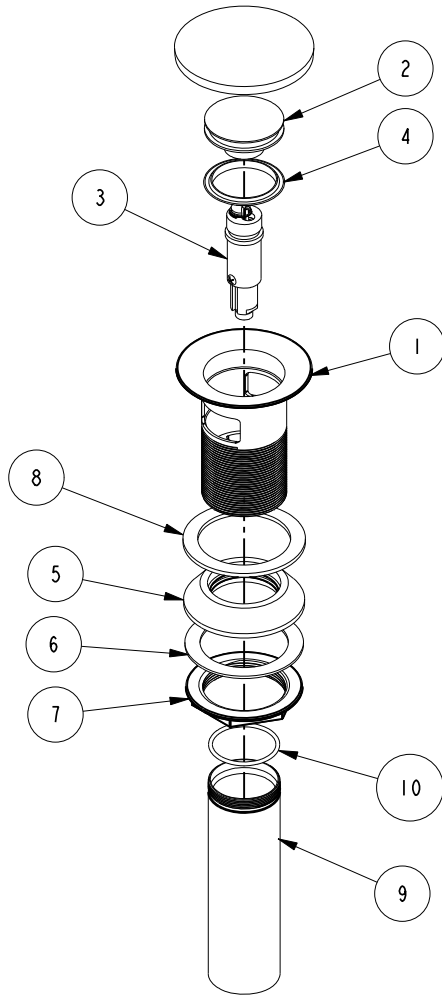


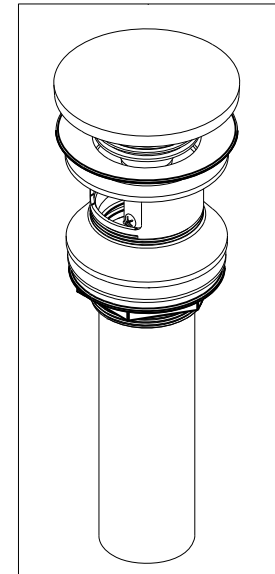
NOTES:

(NI) 1. FIT / FORM / FUNCTION SHALL FOLLOW PS-E.008.



BILL OF MATERIAL (CURRENT LEVEL)

ITEM	PT/ASSY	DESCRIPTION	TYPE	QTY.
1	20-284	FLANGE ASM	ASSEMBLY	1
2	12587	DRAIN CAP	PART	1
3	1-708	ACTUATOR ASM	ASSEMBLY	1
4	91696	GASKET	PART	1
5	91698	CONE SEAL	PART	1
6	91705	WASHER	PART	1
7	92858	LOCK NUT	PART	1
8	91641	FLANGE WASHER	PART	1
9	12588	LOWER WASTE TUBE	PART	1
10	91699	O-RING	PART	1



SCALE .400

UNITS ARE: INCHES [MM]  
TOLERANCES ARE:  
FRACTIONS DECIMALS ANGLES  
±1/16" .X ±.1 [2.5] ±1°  
.XX ±.06 [1.5]

(X.XXX) DENOTES CRITICAL DIMS.  
ALL THREADS ARE CRITICAL

**BRASSTECH** 2001 CARNEGIE AVE.  
INCORPORATED SANTA ANA, CA 92705  
(949) 417-5207

DRAIN, PUSH DOWN,  
W/ OVERFLOW, FULLY POLISHED

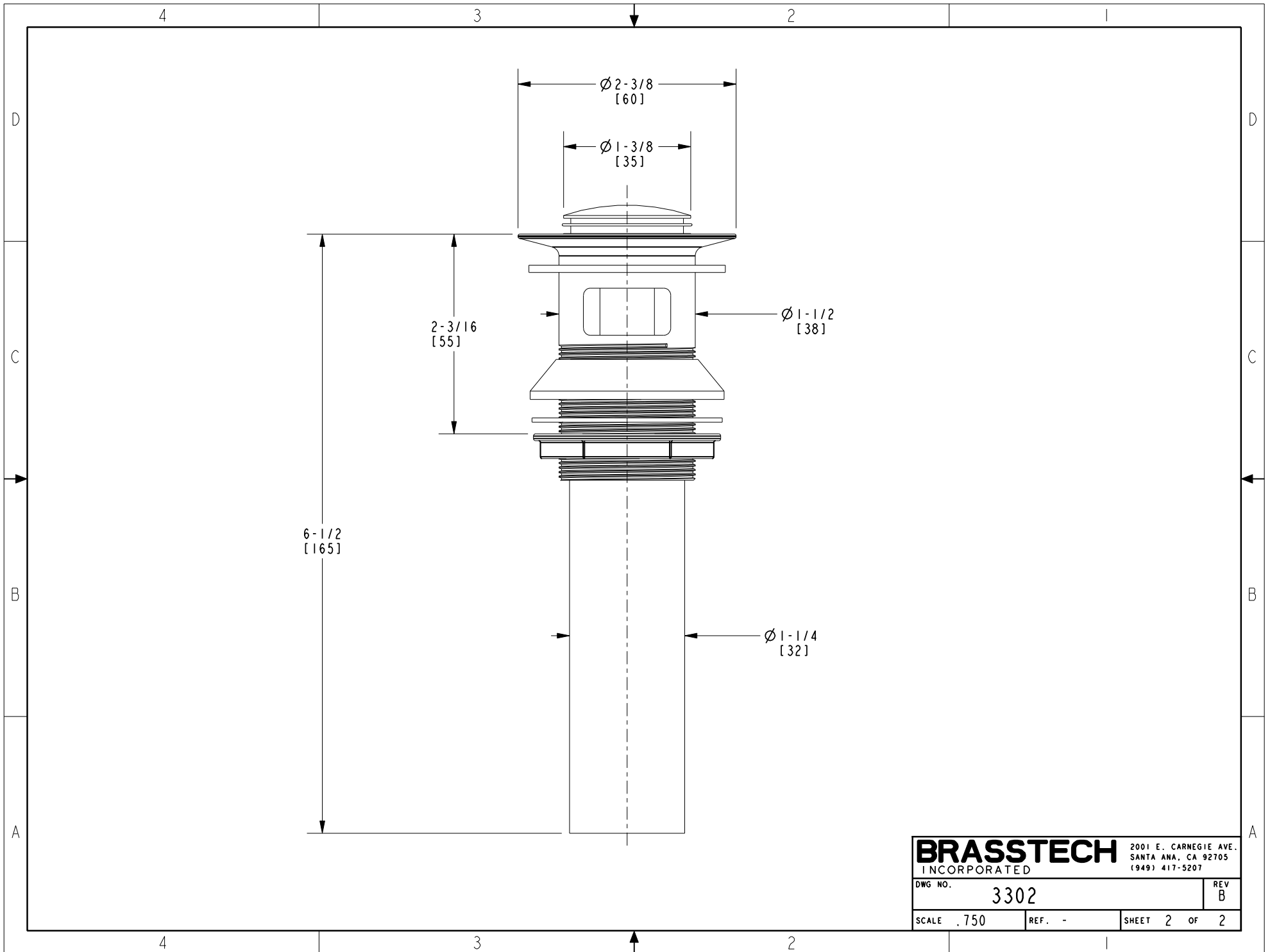
DRAWN H. LE 10/26/16  
CHECKED V. VU 10/26/16  
APPROVED V. VU 10/26/16

DWG NO. 3302 REV B  
SCALE .300 REF. - SHEET 1 OF 2

TESTING	-	-	-
ASSEMBLY	-	-	-
PLATING	-	-	-
POLISHING	-	NEXT ASSY	USED ON
MACHINING	-	APPLICATION	
TOOLING FIXTURE #	REMOVE ALL BURRS AND SHARP EDGES		

COPYRIGHT 2005 BRASSTECH, INC.  
THESE DRAWINGS AND THE DESIGNS  
DEPICTED HEREIN ARE THE PROPRIETARY  
PROPERTY OF BRASSTECH. ANY USE  
OR REPRODUCTION IS SUBJECT TO  
THE EXPRESS APPROVAL OF BRASSTECH.  
UNAUTHORIZED USE IS STRICTLY  
PROHIBITED. ALL RIGHTS RESERVED.

ZONE	REV	DESCRIPTION	DATE	APPROVED
-	A	EN-3525	01/30/18	V.V.
-	-	EN-3152	10/26/16	V.V.



<b>BRASSTECH</b>		2001 E. CARNEGIE AVE. SANTA ANA, CA 92705 (949) 417-5207	
DWG NO.	3302	REV	B
SCALE .750	REF. -	SHEET 2	OF 2