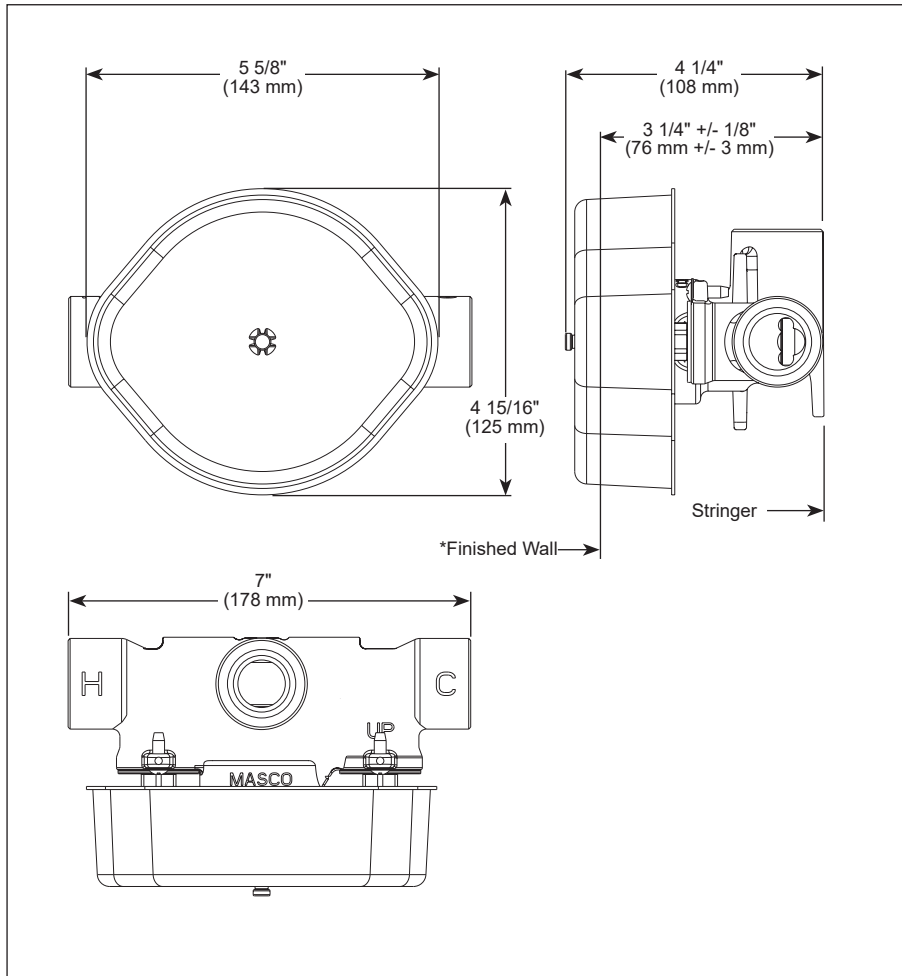


Submitted Model No.: _____

Specific Features: _____



Extension kits available

Visit our website at www.brizo.com for specification sheet for trim model to identify appropriate RP.

BRIZO®

SENSORI® CUSTOM SHOWER ROUGH VALVE BODY

- R35000-WS
- Thermostatic Temperature Control Rough
- 3/4" Rough-In

STANDARD SPECIFICATIONS:

- Forged brass body.
- Can be tested with air (200 PSI) or water (300 PSI) without valve, using supplied test cap.
- For use with Sensori® thermostatic trim. Cartridge ships with trim.
- Includes stops.

WARNING: No back to back installation is allowed with this product.

WARRANTY

- Parts and Finish - Lifetime limited warranty; or for commercial purchasers, 10 years for multi-family residential (apartments and condominiums) and 5 years for all other commercial uses, in each case from the date of purchase.
- Electronic Parts and Batteries (if applicable) - 5 years from the date of purchase; or for commercial purchasers, 1 year from the date of purchase. No warranty is provided on batteries.

COMPLIES WITH:

- ASME A112.18.1 / CSA B125.1