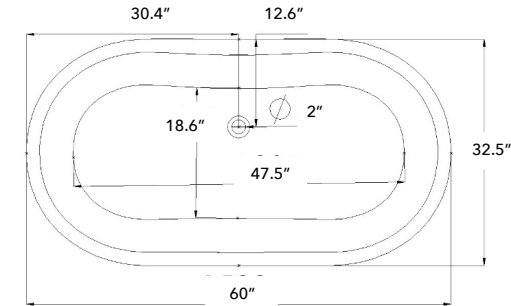
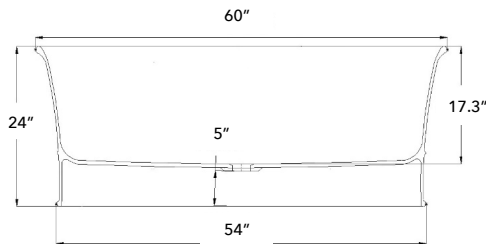


SPECIFICATIONS

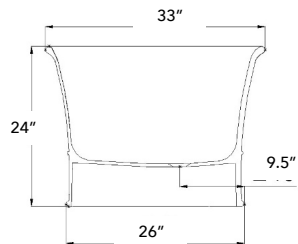
Matte Finish item# 10SW105
Gloss Finish item# 10SG105



TOP
VIEW



FRONT
VIEW



SIDE
VIEW

Recommended Tub Drain for Internal Overflow

Chrome finish [11CC500]
Matte White finish [11CW500]



Suggested Basin

NERINA
15TW113



Dimensions : LWH 60" x 33" x 24"
Waste to floor : 5"
Water Capacity : 79 gallons
Edge / Rim width : 1.3"
Waste diameter : 2"
Weight : 165 lbs

Overflow : Internal Overflow included
Max Water : 17" to overflow
Material : 100% DADOquartz
Color : White
Finish : Gloss or Matte
Warranty : Lifetime