

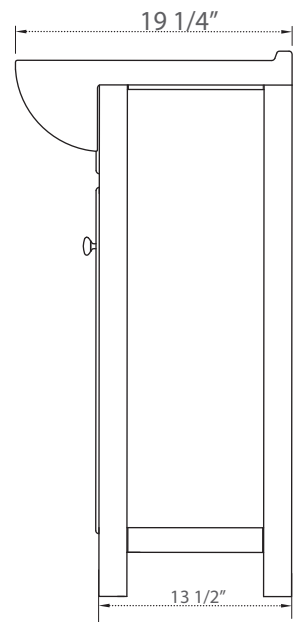
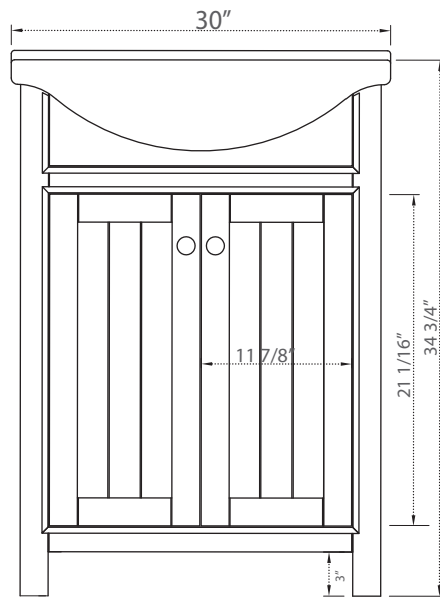
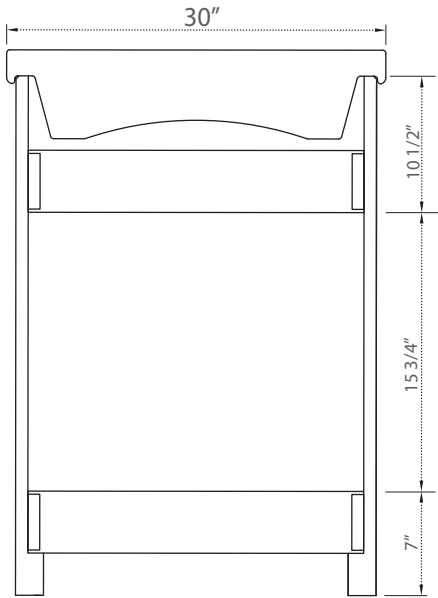
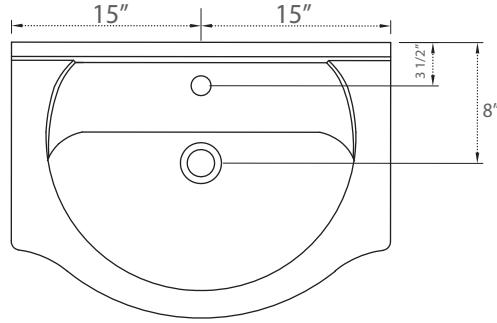
SPECIFICATION

SKU CODE:

S05-30-WT

COLLECTION: Marian

DIMENSIONS: W 30" | D 19 1/2" | H 34 3/4"



PRODUCT OVERVIEW

- Solid hardwood cabinet
- White Finish
- Soft closing cabinet doors
- Satin Brass Hardware

WARRANTY

Design Element warrants marble, fittings and finishes to be free from any defect in workmanship and materials under normal use and service for a period of one (1) year. In case of any damage, report it within 30 days.

CARE AND CLEANING

- Avoid using any type of rough cleaners or chemicals on the finish.
- Cabinet finish is water resistant, use mild liquid soap and a soft cloth to clean the cabinet body.
- Scrub the cabinet smoothly, while cleaning do not remove or scratch the finish.

CONTACT SUPPORT

PHONE: (888) 487-4488

EMAIL: cs@designelementusa.com

ADDRESS: 8715 Boston place, Rancho Cucamonga, CA. 91730

www.designelement.com

