

SPECIFICATIONS

Customer Service: 1-800-460-7019
www.fluidfaucets.com

Specifications

- Metal construction for durability and reliability
- Square cover Plate
- Utopia handle
- Pressure balancing with built-in 2-way diverter
- Requires pressure balancing rough-in with built-in 2-way diverter F1002B or F1002B-PEX or F1002B-PEX-W
- Valve and trim packages are sold separately

Finish

- CP (Polished Chrome)
- BN (PVD Brushed Nickel)

Codes and Standards

- ANSI/ASME A112.18.1
- CSA B125.1
- IAPMO / cUPC

Warranty

- Limited Lifetime Faucet Warranty against material and manufacturing defects for residential use.
- 2 Year Limited Warranty on all industrial, commercial and business applications.

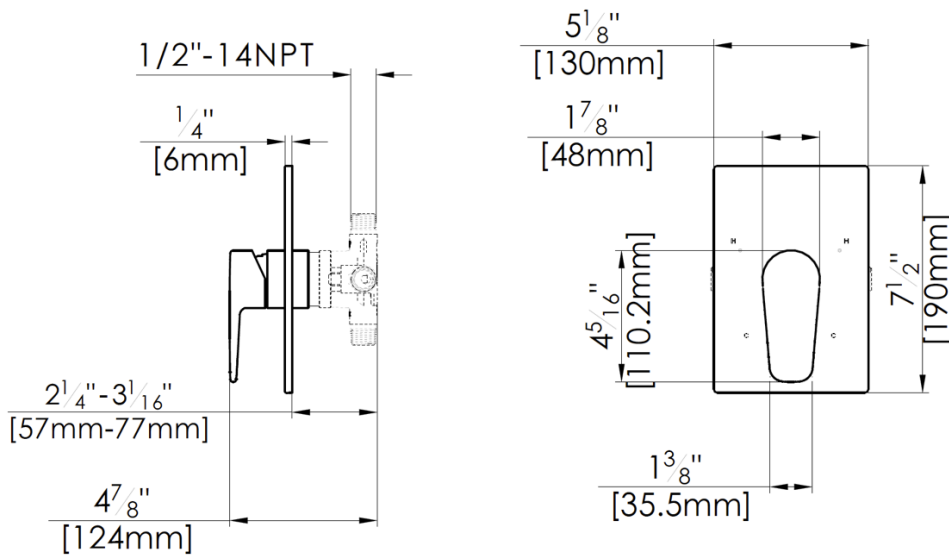
fluid Utopia Square Trim Kit for In-Wall Valve w/ Built-in 2- Way Diverter

Model: FP6018332-2PS

Includes:

F1001T
FP6001023
FP6018041

Sleeve Tube and Cap
Square Cover Plate
Utopia Handle



Sustainable Solutions

8395 Riverbend Court, Burnaby, BC
V3N 5E7, Canada

FP6018332-2PS / REV0 2022