
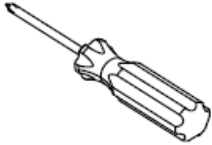

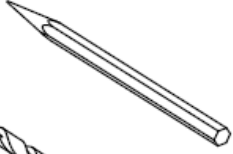

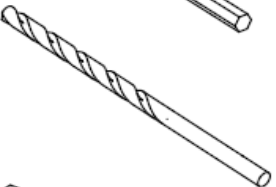
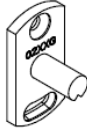
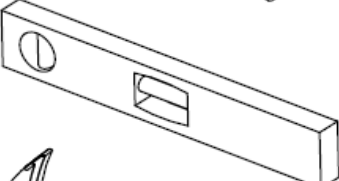

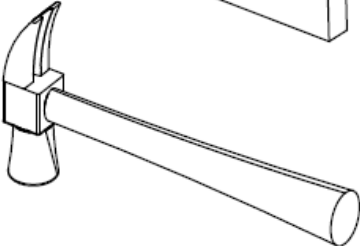

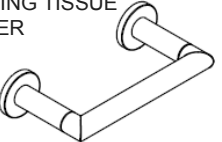


ITEMS INCLUDED	TOOLS REQUIRED
DRY WALL ANCHOR  X 4	PHILLIPS SCREW DRIVER 
TILE ANCHOR  X 4	PEN / PENCIL 
#8 SCREW  X 4	1/4" 6 mm) DRILL 
MOUNTING BRACKET  X 2	LEVEL SET 
M6X1 SET SCREW  X 2	HAMMER 
3MM HEX KEY  X 1	
PIVOTING TISSUE HOLDER  X 1	

KUBIC

INSTALLATION INSTRUCTIONS

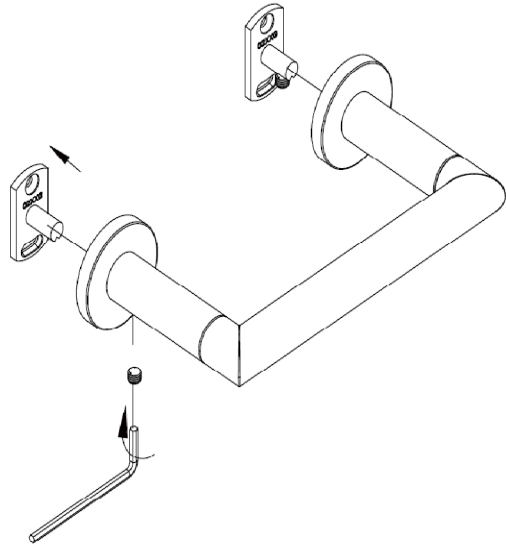
4608

PIVOTING TISSUE HOLDER

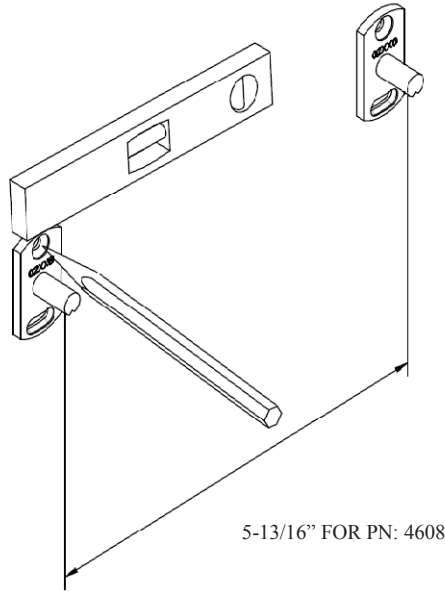
GINGER
Luxury For Your Lifestyle™

2001 CARNEGIE AVE, SANTA ANA CA 92705
 (949) 417-5207
 WWW.GINGERCO.COM

① REMOVE MOUNTING BRACKETS

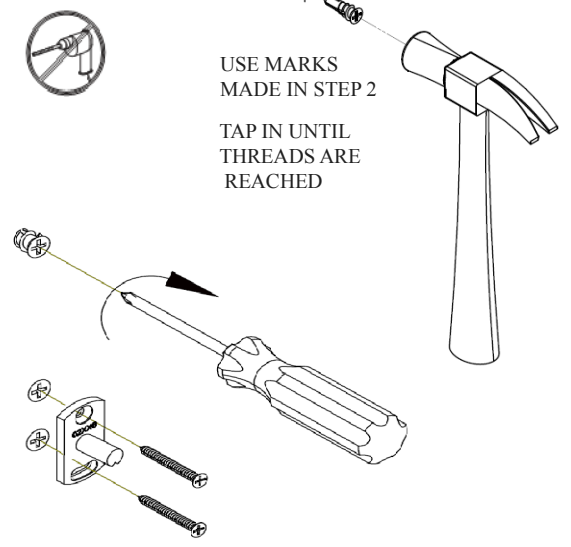


② ALIGN MOUNTING BRACKETS AND MARK LOCATION



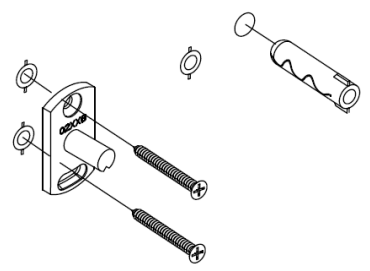
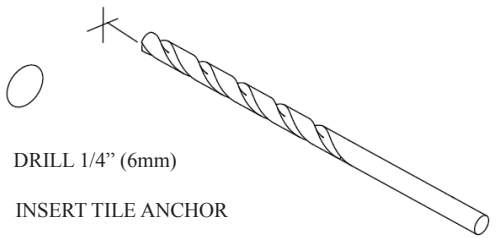
③ DRY WALL INSTALLATION

DO NOT DRILL

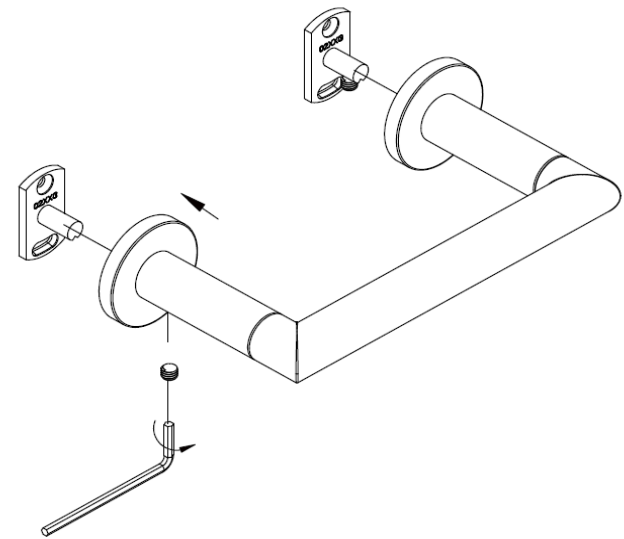


④ TILE OR SOLID WALL INSTALLATION

USE MARKS MADE IN STEP 2



⑤ INSTALL PRODUCT ONTO BRACKETS



SECURE WITH SET SCREW