

P6380201, P6380202 - Tub and Shower Trim

Description

- Tub & shower trim kit
- Metal lever handle
- 3" diameter shower head
- 1 Setting shower head
- 1.5 GPM ASME Compliant
- VALVE SOLD SEPARATELY

Standards

- Complies with IAPMO UPC/cUPC
- ADA Accessibility Guidelines for Buildings and Facilities - 4.27.4 Controls and Mechanisms
- CALGreen compliant



• P6380201

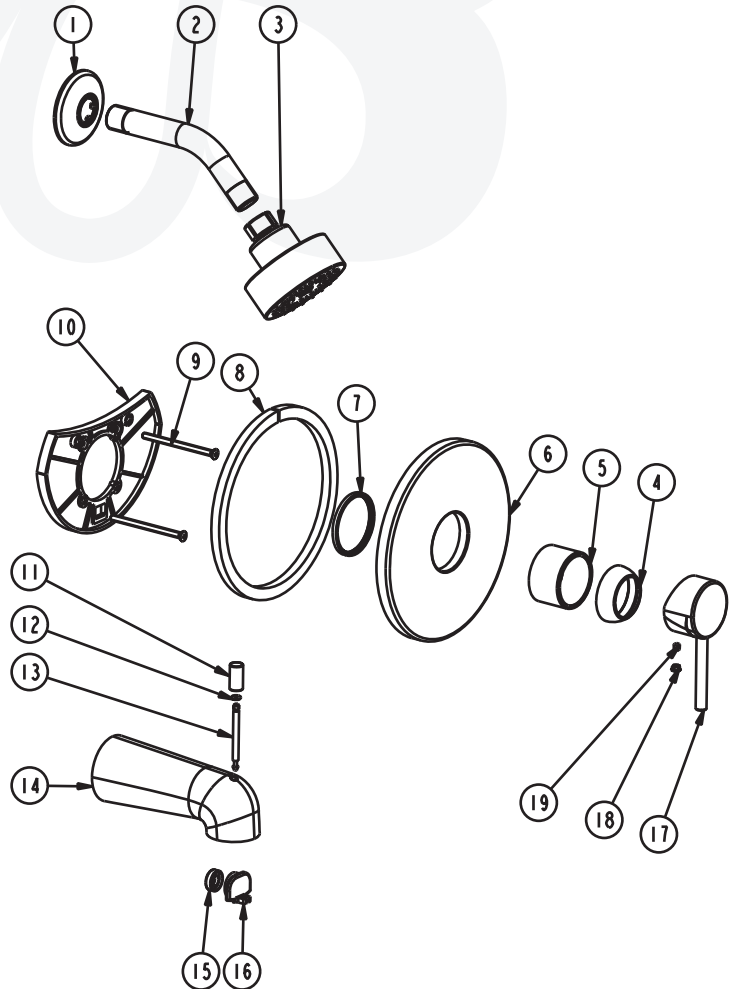


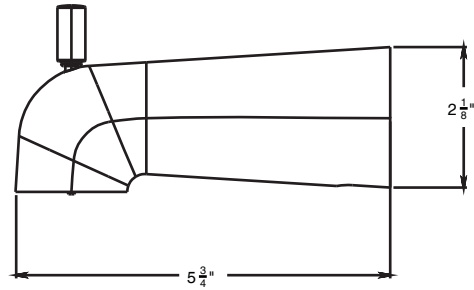
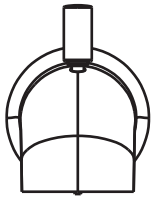
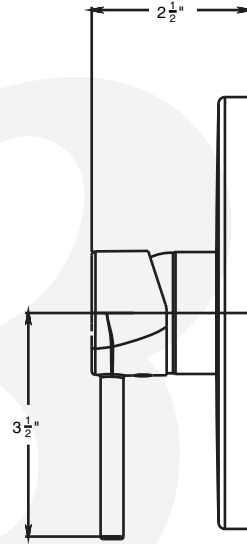
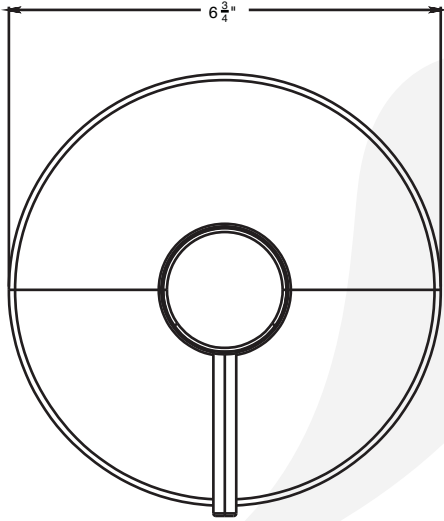
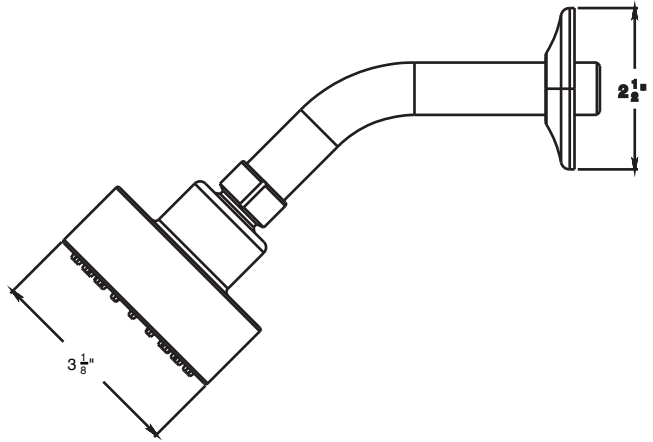
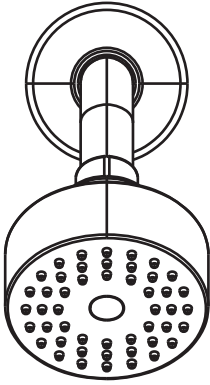
Colors / Finishes

- P6380201 - Chrome
- P6380202 - PVD Satin Nickel

**BREAK DOWN
Component Parts List**

| | | |
|------------|--------------------|-----------------|
| 19 | CTST4101 | 1 |
| 18 | CTCP0072 | 1 |
| 17 | CTHZ0258 | 1 |
| 16 | CTKP0098 | 1 |
| 15 | CTWR1032 | 1 |
| 14 | CTFZ0013 | 1 |
| 13 | CTMT0023 | 1 |
| 12 | CTRR0164 | 1 |
| 11 | CTMB0660 | 1 |
| 10 | CTKP0102 | 1 |
| 9 | CTST0230 | 2 |
| 8 | CTWR0063 | 1 |
| 7 | CTRR0123 | 1 |
| 6 | CTCP0293 | 1 |
| 5 | CTCB0670 | 1 |
| 4 | CTCP0192 | 1 |
| 3 | ATBE0152 | 1 |
| 2 | CTPT0014 | 1 |
| 1 | CTCT0070 | 1 |
| NO. | Drawing No. | Quantity |





| Item Number | Type | Date |
|--------------------|---------------------|-----------|
| P6380201, P6380202 | Tub and Shower Trim | 1/14/2016 |