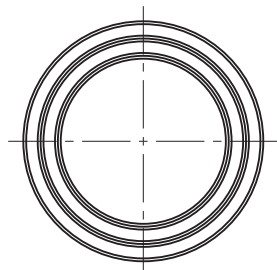
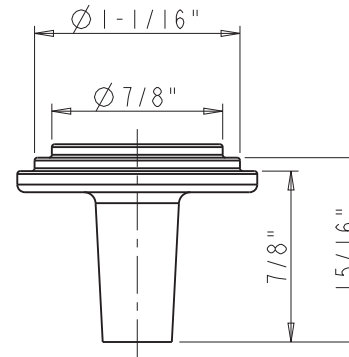
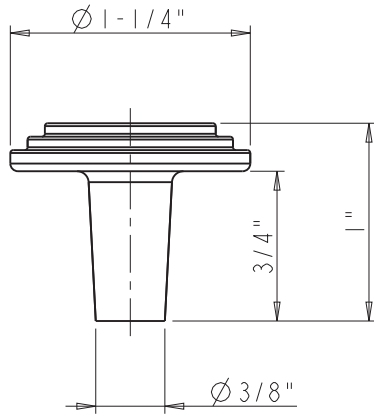
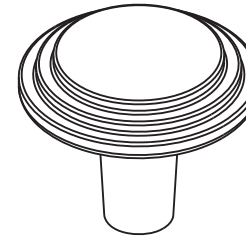


8-32 UNC - DRILL_DEPTH 3/4"
SCREW_DEPTH 1/2"



	ITEM:	331L		MATERIAL:	ZINC
	FINISH:			WEIGHT:	37.80 g
PROPRIETARY AND CONFIDENTIAL THE INFORMATION CONTAINED IN THIS DRAWING IS THE SOLE PROPERTY OF HARDWARE RESOURCES INC. ANY REPRODUCTION IN PART OR AS A WHOLE WITHOUT THE WRITTEN PERMISSION OF HARDWARE RESOURCES INC. IS PROHIBITED.	TOLERANCE UNLESS OTHERWISE SPECIFIED: X ±0.20 XX ±0.10 XXX ±0.05 ANGULAR: ±0.5°	UNITS: SIZE: A4 SHEET: 1 OF 1	DRAWN BY: <i>Shawn Lee</i> APPROVED BY: RELEASE LEVEL:	DATE: DATE: REVISION:	PROJECTION