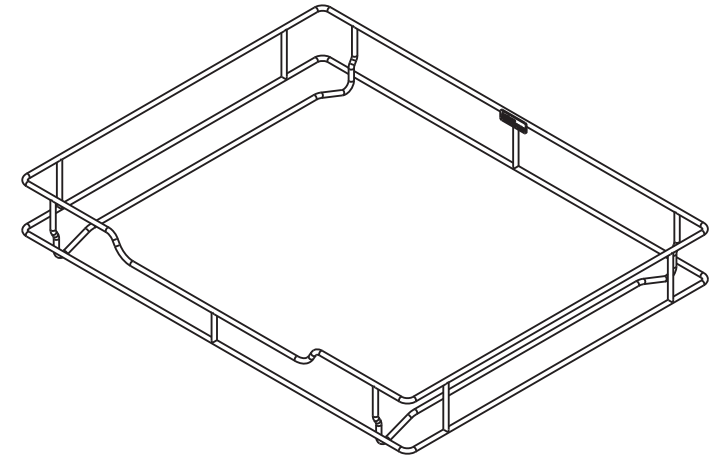



DETAIL A
SCALE 1:2



 PROPRIETARY AND CONFIDENTIAL THE INFORMATION CONTAINED IN THIS DRAWING IS THE SOLE PROPERTY OF HARDWARE RESOURCES INC. ANY REPRODUCTION IN PART OR AS A WHOLE WITHOUT THE WRITTEN PERMISSION OF HARDWARE RESOURCES INC. IS PROHIBITED.	ITEM#: HAMPER - PULLOUT 18-23		MATERIAL: STEEL	
	FINISH:		WEIGHT: 0.00 g	
TOLERANCE UNLESS OTHERWISE SPECIFIED: X ±0.20 X.X ±0.10 X.XX ±0.05 ANGULAR: ±0.5°	UNITS: MM	DRAWN BY:	DATE:	
	SIZE: A4	APPROVED BY:	DATE:	
	SHEET: 1 OF 1	RELEASE LEVEL:	REVISION:	
	DO NOT SCALE DRAWING			