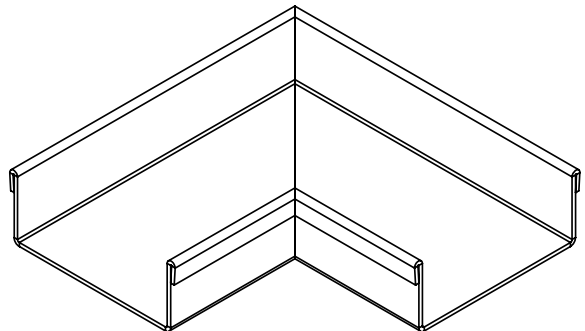
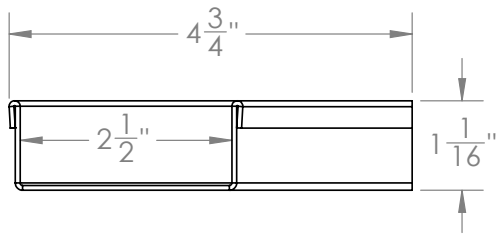
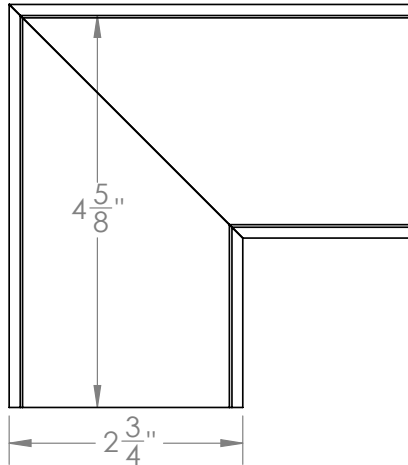


# SLA 65 Specifications

ID Infinity Drain

## SLA 65:

- 90 degree joiner
- 16 gauge 304L stainless steel
- For LC 65 and SC 65 channels



**Infinity Drain**  
145 Dixon Avenue  
Amityville, NY 11701  
Phone: 516.767.6786  
Fax: 516.740.3066  
www.infinitydrain.com



NOTE: Installer must verify all rough-in dimensions prior to installation and consult local and national codes. Conformity and compliance to local and national codes are the responsibility of the installer.