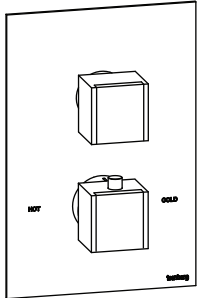




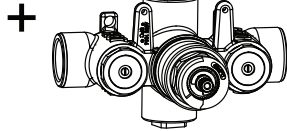
**150.4301 | 3/4" Thermostatic Valve With 3-Way Diverter & Integrated Volume Control & Trim**

**SPECIFICATIONS:**

- Turn bottom handle to control temperature.
- Turn top handle to divert water & control volume.
- Includes Thermostatic valve (TVH.4301F) w/ service stops
- Thermostatic Valve Flow Rate - 8.0 GPM @ 60 PSI
- Extension Available - TVH.4101E\*\*



Trim  
[ 150.4000T\*\* ]



Valve  
[ TVH.4301F ]

CALGreen Compliant



Belgian Mirror Finish



Legislation Compliance



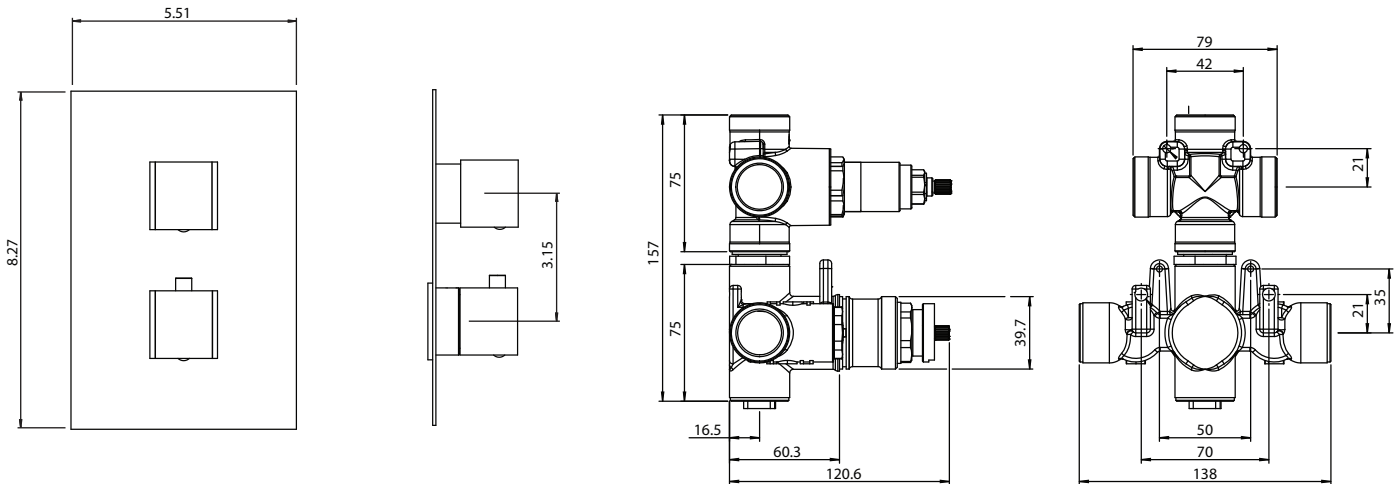
ZeroDrip Technology



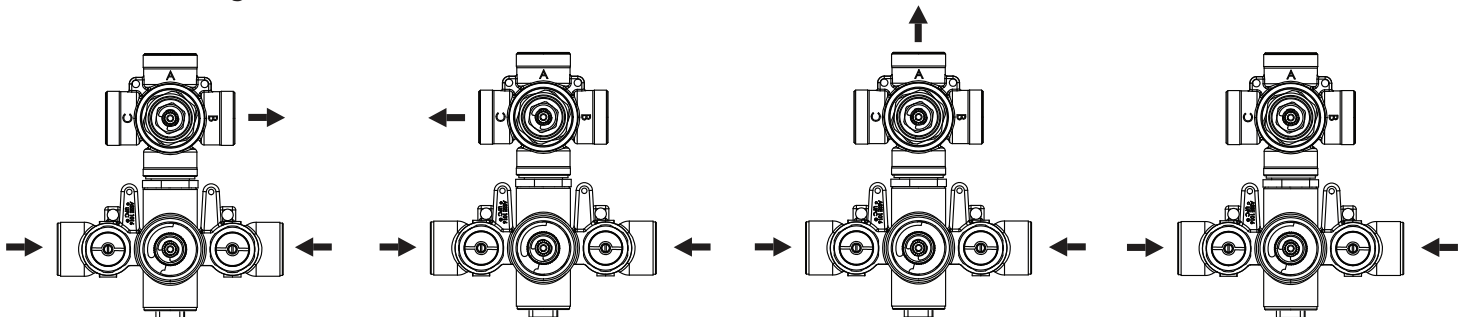
**!**  
A separate volume control is **not** needed to turn water supply off. Volume control functionality is integrated within this valve.

See Spec Sheet For TVH.4301F For Detailed Information On Valve.

**Technical Diagram**



**Water Diversion Diagram**



Diverter Position = 1

Diverter Position = 2

Diverter Position = 3

Diverter Position = off



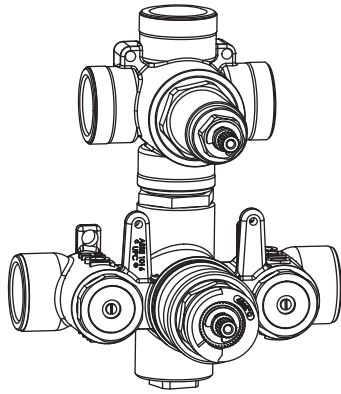
**TVH.4301F | 3/4" Thermostatic Valve With 3-Way Diverter & Integrated Volume Control** Page 1 of 2

**SPECIFICATIONS:**

- Turn bottom knob to control temperature.
- Turn top knob to control water flow.
- Thermostatic Valve Flow Rate - 8.0 GPM @ 60 PSI
- Extension Available - TVH.4101E\*\*

**STANDARDS:**

- ASME A112.18.1 / CSA B125.1



**!** A separate volume control is **not** needed to turn water supply off. Volume control functionality is integrated within this valve.

CALGreen Compliant



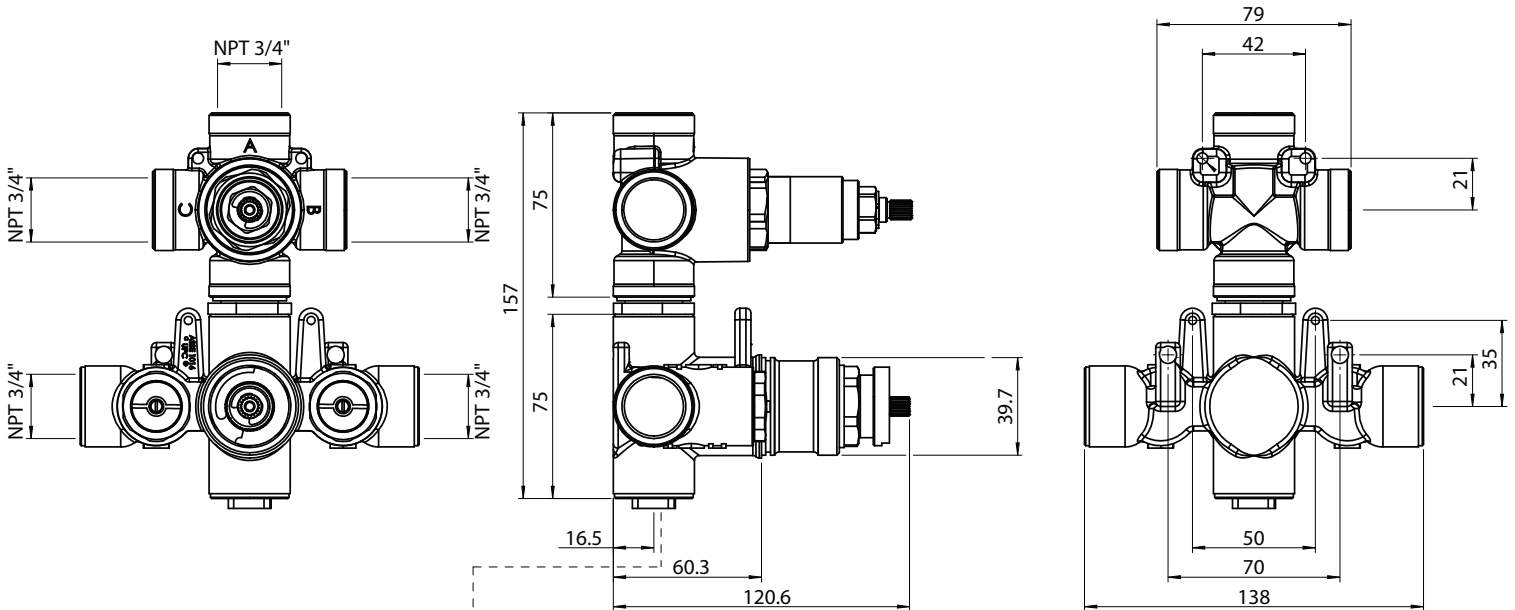
Legislation Compliance



ZeroDrip Technology



**Technical Diagram**



**Note:** Pre-Installed cap cannot be removed unless a separate volume control or diverter is used

TVH.4301F | 3/4" Thermostatic Valve With 3-Way Diverter & Integrated  
Volume Control Page 2 of 2



**THREE OUTPUT - CAL-GREEN - NO SHARED PORT OPERATION**

Diverter Cartridge # - **15100** (Included)

Total 6 Positions as defined below, with **only** 1 port active at one time.

- Position 0 - Off - No Water Flow
- Position 1 - Output B Activated
- Position 2 - Off - No Water Flow
- Position 3 - Output A Activated
- Position 4 - Off - No Water Flow
- Position 5 - Output C Activated

**THREE OUTPUT - SHARED PORT OPERATION**

Diverter Cartridge # - **15200** (Not Included)

Total 6 Positions as defined below, with 2 ports active at one time.

- Position 0 - Off - No Water Flow
- Position 1 - Output B Activated
- Position 2 - Output B+A Activated
- Position 3 - Output A Activated
- Position 4 - Output C+A Activated
- Position 5 - Output C Activated

