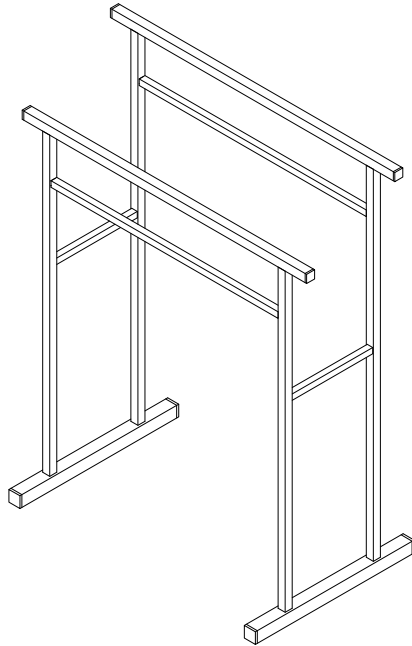



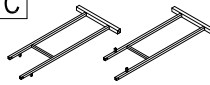



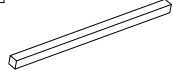


# KINGSTON

KITCHEN & BATH

## Pedestal 2-Tier Steel Frame Towel Rack Installation

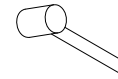


### Parts:

| Straight Tube  | H-Frame  | Sift Head(Big)   | Screw  |
|--|--|--|--|
| <b>A</b><br><br>2 Pcs | <b>C</b><br><br>1 Pc  | <b>E</b><br><br>4 Pcs | <b>G</b><br><br>8 Pcs |
| Straight Tube  | Counterweight rod  | Sift Head(Small)   | Gasket   |
| <b>B</b><br><br>2 Pcs | <b>D</b><br><br>2 Pcs | <b>F</b><br><br>4 Pcs | <b>H</b><br><br>4 Pcs |

www.kingstonbrass.com  
 TOLL-FREE CUSTOMER SERVICE: 1-877-2-KBRASS  
 TECHNICAL SUPPORT E-mail: service@kingstonbrass.com  
 12775 Reservoir Street, Chino, CA 91710

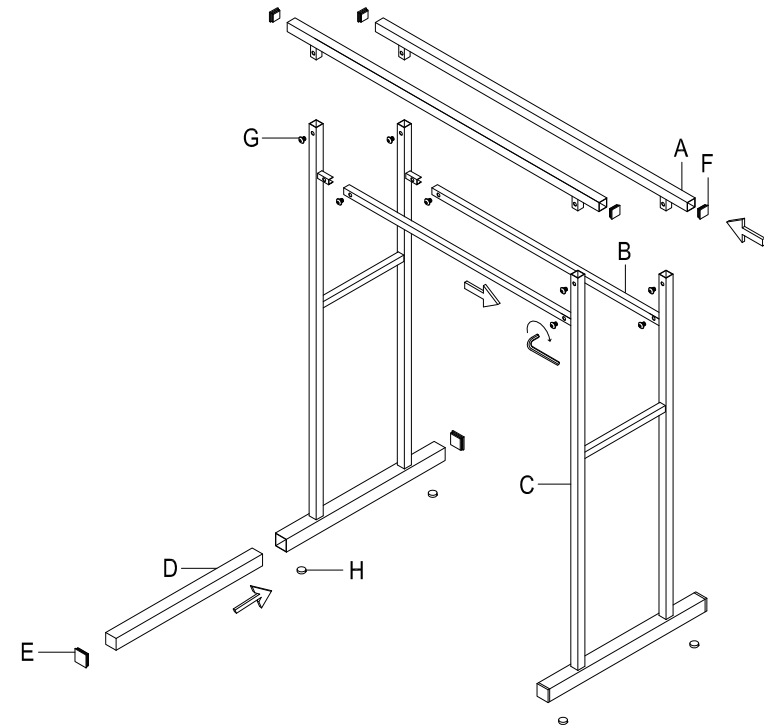
### TOOLS REQUIRED



Rubber Mallet



Allen Wrench



### Installation Steps:

- Step 1. Locate the straight tube (part B) and the H-Frame (part C), secure together using the provided screws (part G) and Allen wrench. Repeat on other side and with the remaining straight tube.
- Step 2. Using (part A), insert into the top of the H-Frame (part C) and using the provided screws (part G) tighten with an Allen wrench. Repeat on other side and with the remaining part.
- Step 3. Insert the counterweight rod (part D) into the base of the H-Frame (part C). Repeat for the other side.
- Step 4. Next, use the sift heads (part F) to cover the exposed ends on (part A). Use (part E) to cover the exposed holes on (part C).
- Step 5. To ensure product longevity, use the gaskets (part H) to cover the four exposed holes on the bottom of the towel rack base.

### Cleaning

Clean with a damp cloth only.  
 Avoid using metal or abrasive polishes.