

KINGSTON

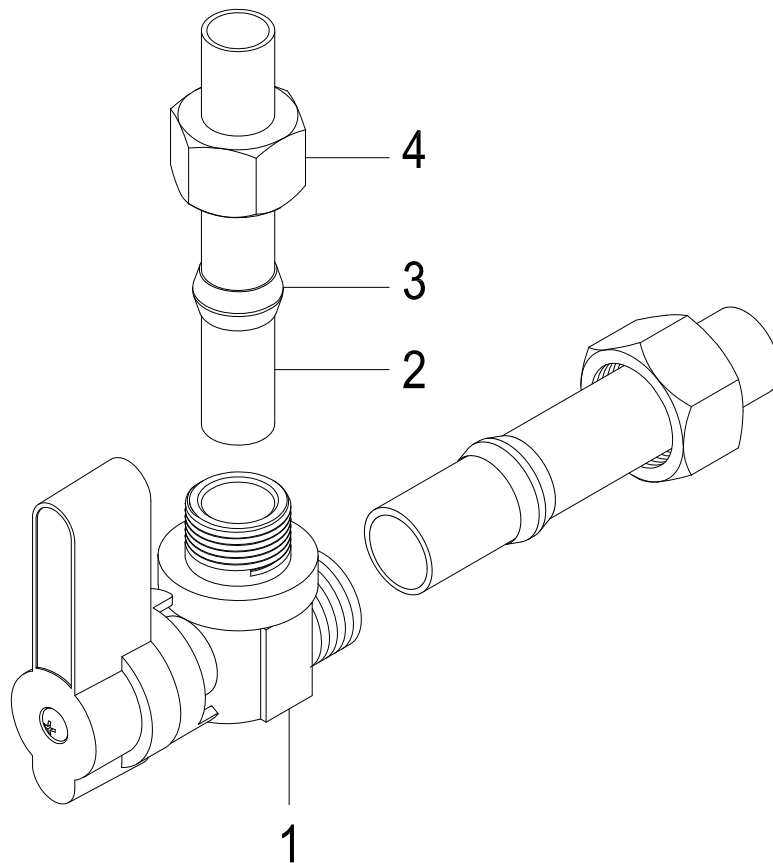
KITCHEN & BATH

INSTALLATION INSTRUCTIONS

Angle Stop

Instructions:

1. Place nut (4) and ring (3) on tube (2).
2. Insert tube (2) into valve.
3. Wrench tighten nut (4) onto valve.
4. Repeat steps 1 through 3 with the other side.
5. Stop any leaks by tightening nuts slightly.



www.kingstonbrass.com

TOLL-FREE CUSTOMER SERVICE: 1-877-2-KBRASS

TECHNICAL SUPPORT E-mail: service@kingstonbrass.com

12775 Reservoir Street, Chino, CA 91710