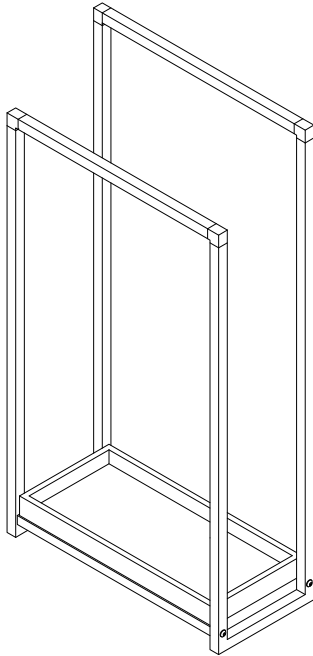



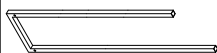
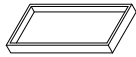
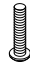
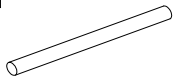
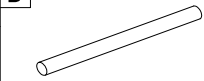


# KINGSTON

KITCHEN & BATH

## Pedestal 2-Tier Steel Frame Towel Rack Installation

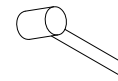


### Parts:

Straight Tube		U Shape	Compartment floor	Screw
				
4 Pcs		2 Pcs	1 Pc	4 Pcs
A	15-1/2"	Counterweight rod	Two-way connector	Gasket
				
B	15-7/8"	2 Pcs	4 Pcs	4 Pcs

www.kingstonbrass.com  
 TOLL-FREE CUSTOMER SERVICE: 1-877-2-KBRASS  
 TECHNICAL SUPPORT E-mail: service@kingstonbrass.com  
 12775 Reservoir Street, Chino, CA 91710

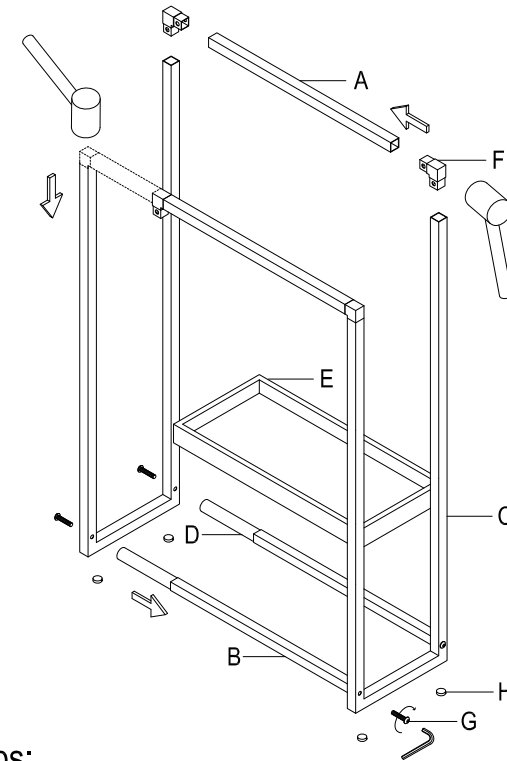
### TOOLS REQUIRED



Rubber Mallet



Allen Wrench



### Installation Steps:

- Step 1. Using a rubber mallet, gently tap the two-way connectors (part F) into one end of the straight tube (part A). Repeat for the other end, ensure that the two-way connectors are inserted in the same direction. Repeat for the second piece.
- Step 2. After the straight tubes (part A) have been connected to the two-way connectors (part F). Locate the two U-shape tubes (part C), gently tap in the straight tubes (part A) in to the U-shape tubes (part C) with the rubber mallet to create the frame.
- Step 3. Insert the counterweight rods (part D) into the longer straight tubes (part B). Then using the provided screws (part G), secure part C onto part B using an Allen wrench. Repeat on other side.
- Step 4. Insert the gasket pieces (part H) into the 4 holes on the bottom of the product.
- Step 5. To complete installation, insert the wooden compartment into the base of the towel rack (part E).

### Cleaning

Clean with a damp cloth only.  
 Avoid using metal or abrasive polishes.