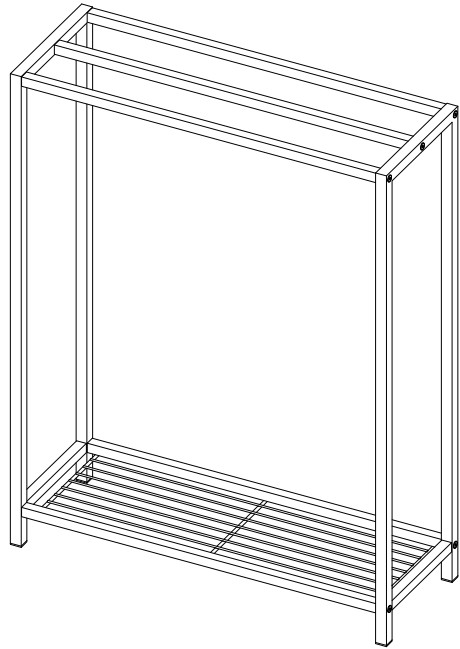


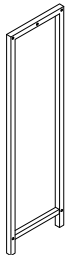
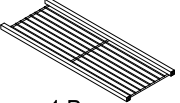

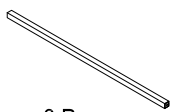
# KINGSTON

KITCHEN & BATH

## Freestanding Steel Frame Towel Rack Installation



### Parts:

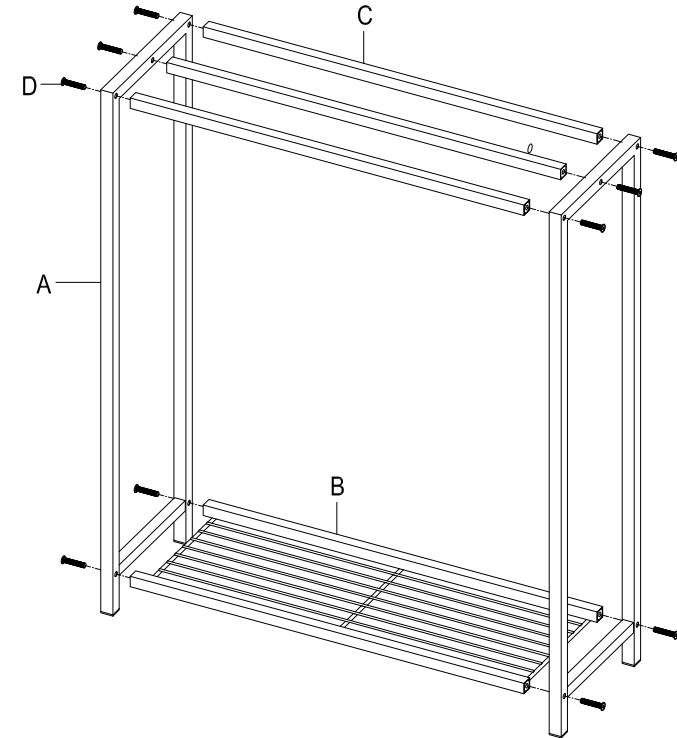
□ Shape	Base Rack	Screw
A  2 Pcs	B  1 Pc Straight Tube	D  10 Pcs
	C  3 Pcs	

www.kingstonbrass.com  
 TOLL-FREE CUSTOMER SERVICE: 1-877-2-KBRASS  
 TECHNICAL SUPPORT E-mail: service@kingstonbrass.com  
 12775 Reservoir Street, Chino, CA 91710

### TOOLS REQUIRED



Allen Wrench



### Installation Steps:

- Step 1. Locate the base rack (part B) and the □ shape (part A), secure together using the provided screws (part E) and Allen wrench. Repeat for the other end.
- Step 2. After completing step 1 with the straight tube (part C) and the □ shape (part A), secure together using the provided screws (part D) and Allen wrench. Repeat on other side and with the remaining straight tube.

### Cleaning

Clean with a damp cloth only.  
 Avoid using metal or abrasive polishes.