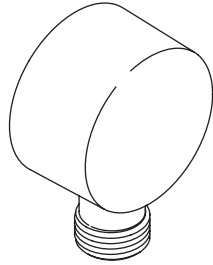


### INSTALLATION INSTRUCTIONS



**P21661**

## INSTALLATION INSTRUCTIONS

### THANK YOU FOR CHOOSING KALLISTA

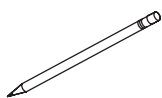
We appreciate your commitment to KALLISTA quality products. Please take a moment to review this manual before you install your KALLISTA product. If you encounter any installation or performance problems, please do not hesitate to contact us at the phone number listed at the bottom of the page.

### BEFORE YOU BEGIN

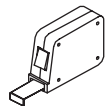
**NOTE:** Plumbing codes may require a vacuum breaker be installed in-line to handshowers. Please consult with local plumbing codes.

- Carefully plan the location of the wall supply elbow to avoid the possibility of the handshower hose interfering with the operation of any faucets and/or drains, etc.
- Please read all instructions before you begin.
- Observe all local plumbing and building codes.
- Shut off the main water supply.
- Inspect the supply piping for damage. Replace as necessary.
- KALLISTA reserves the right to make revisions in the design of products without notice, as specified in the Price Book.

### TOOLS AND MATERIALS



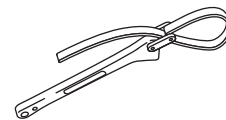
Pencil



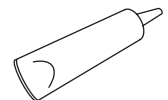
Tape Measure



Thread Sealant



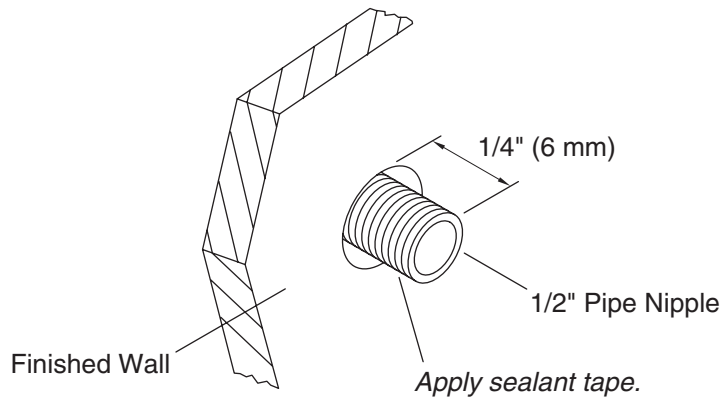
Strap Wrench



Clear Silicone Sealant

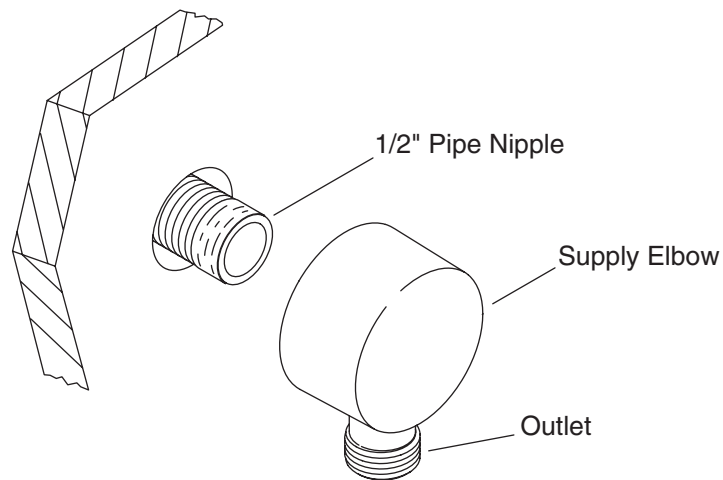
## INSTALLATION INSTRUCTIONS

### 1. INSTALL THE PIPE NIPPLE



- Install a 1/2" NPT pipe nipple that extends 1/4" (6 mm) from the finished wall when fully tightened.
- Run water through the system to flush out dirt and debris.
- Apply sealant tape around the exposed threads of the pipe nipple.

### 2. INSTALL THE SUPPLY ELBOW



- Thread the supply elbow onto the 1/2" pipe nipple.
- Using a clean strap wrench, tighten the supply elbow flush to the wall with the outlet oriented down.
- Apply a bead of clear silicone sealant around the perimeter of the supply elbow.
- Turn on the water and allow water to flow through the supply elbow.
- Check connection for leaks. Repair as needed.