

# KALLISTA®

## For Town Thermostatic Trim

### FEATURES

- Solid brass construction for durability and reliability
- Allows bather to set precise temperature
- Patented K-joint installation ensures consistent trim appearance, regardless of variability in valve rough-in
- Complements the For Town collection

### CODES/STANDARDS APPLICABLE

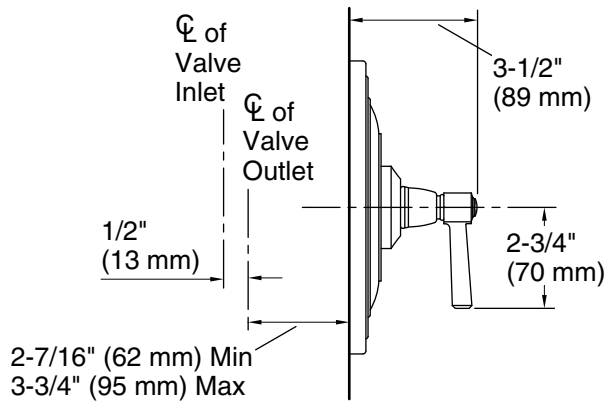
Specified model meets or exceeds the following:

- ASME A112.18.1/CSA B125.1
- ICC/ANSI A117.1
- ADA\*
- OBC\* (Lever only)
- CSA B651\*

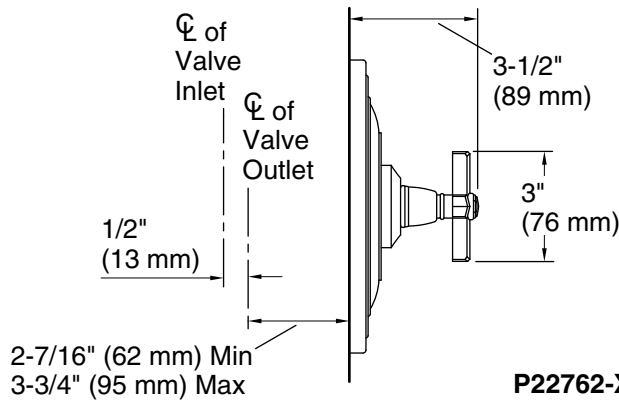
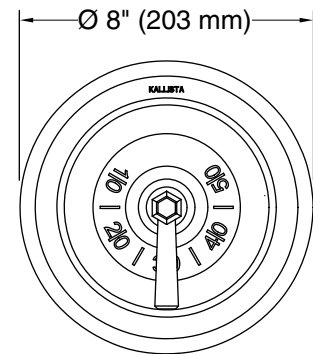


\* Compliant when installed to the specific requirement of this regulation

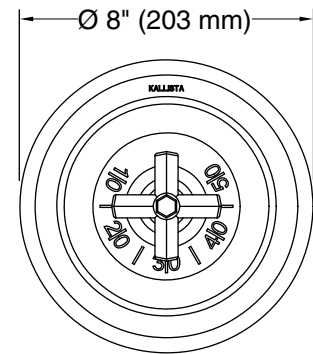
# P22762



**P22762-LV**



**P22762-XX, P22762-CC, P22762-BC**



### SPECIFIED MODEL

SPECIFIED MODEL		FINISHES		
Model	Description	CP Polished Chrome	AD Nickel Silver	AG Brushed Nickel
P22762-LV	For Town Thermostatic Trim, Lever Handle	<input type="checkbox"/>	<input type="checkbox"/>	<input type="checkbox"/>
P22762-XX	For Town Thermostatic Trim, Cross Handle	<input type="checkbox"/>	<input type="checkbox"/>	<input type="checkbox"/>
P22762-CC	For Town Thermostatic Trim, Crystal Cross Handle	<input type="checkbox"/>	<input type="checkbox"/>	<input type="checkbox"/>
P22762-BC	For Town Thermostatic Trim, Black Cross Handle	<input type="checkbox"/>	<input type="checkbox"/>	<input type="checkbox"/>
Required Rough-In				
P29511-WS	1/2" Thermostatic Mixing Valve	<input type="checkbox"/>	NA	
P29512-WS	3/4" Thermostatic Mixing Valve	<input type="checkbox"/>	NA	

We reserve the right to make revisions without notice in the design of products or in packaging unless this right has specifically been waived at the time the order is accepted.