

# KALLISTA®

## Bridgeton® Two-Piece Toilet

### FEATURES

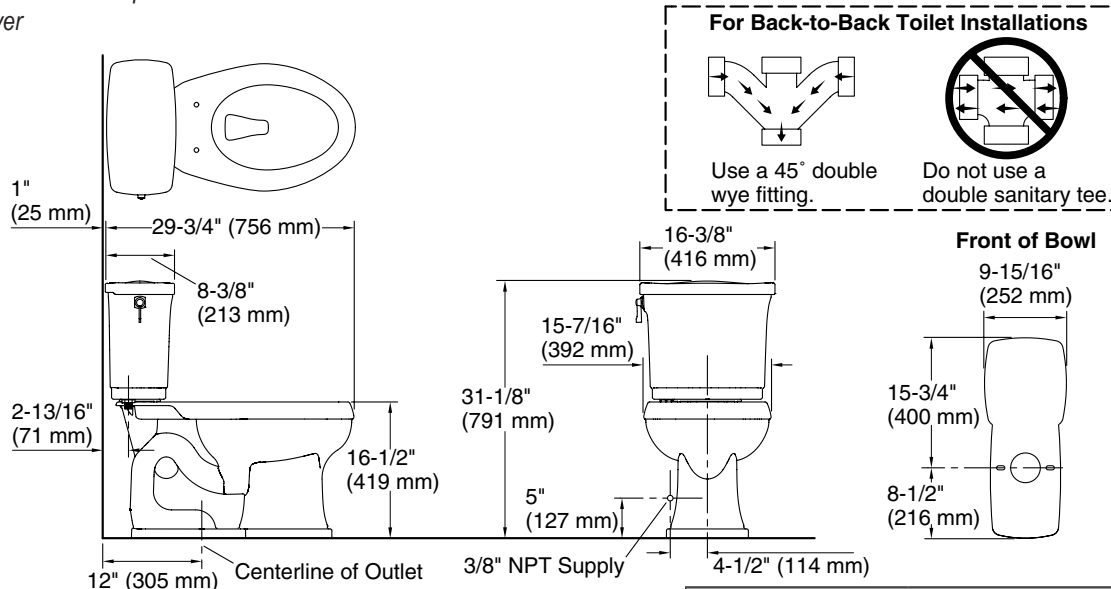
- Vitreous china
- Elongated bowl
- Two-piece; chair-height seating
- 1.28 gpf (4.8 lpf)
- 2-1/8" (54 mm) glazed trapway
- Includes polished chrome plated brass trip lever

### CODES/STANDARDS APPLICABLE

Specified model meets or exceeds the following:

- ADA
- ICC/ANSI A117.1
- ASME A112.19.2/CSA B45.1
- EPA WaterSense®

## P70301, P70302, Combination P70300



### PRODUCT INFORMATION

|                        |                                    |
|------------------------|------------------------------------|
| Fixture:               |                                    |
| Configuration          | Two-piece, elongated               |
| Water per flush        | 1.28 gal (4.8 L)                   |
| Passageway             | 2-1/8" (54 mm)                     |
| Water area             | 10-1/2" (267 mm) x 7-7/8" (200 mm) |
| Water depth from rim   | 6-3/8" (162 mm)                    |
| Seat post hole centers | 5-1/2" (140 mm)                    |

### INSTALLATION NOTES

Will comply with the American Disabilities Act (**ADA**) when installed per the requirements of the Accessibility Guidelines, Section 604 Water Closets, of the Act. The Model Plumbing Codes require the installation of elongated open-front toilet seats in public bath rooms.

**For back-to-back toilet installations:** Use only a 45° double wye fitting.

The model is acceptable for left-hand Accessible compartment installations only.

### SPECIFIED MODEL

| Model                                | Description  | Finishes                                    |   |  |
|--------------------------------------|--|---|---|--|
| P70300-00                            | Bridgeton Two-Piece Toilet                                 | <input type="checkbox"/> 0 Stucco White     |   |  |
| P70301-00                            | Bridgeton Toilet Bowl                                      | <input type="checkbox"/> 0 Stucco White     |   |  |
| P70302-00                            | Bridgeton Toilet Tank                                      | <input type="checkbox"/> 0 Stucco White     |   |  |
| Recommended Accessories (Choose one) |  |   |   |  |
| P70303-CP, AD, AG, BL or BV          | Classic Toilet Seat with Finished Brass, Slow-Close Hinges | <input type="checkbox"/> 0 Stucco White     | <input type="checkbox"/> 96 Linen             |  |
| P70334-CP, AD, AG, BL or BV          | Premium Toilet Seat with Finished Brass, Slow-Close Hinges | <input type="checkbox"/> JV Java            | <input type="checkbox"/> EM Ebonized Mahogany | <input type="checkbox"/> KZ Brunette         |
| Optional Accessories                 |  |   |   |  |
| P70304-00                            | Classic Trip Lever Finish Upgrade                          | <input type="checkbox"/> AD Nickel Silver   | <input type="checkbox"/> AG Brushed Nickel    | <input type="checkbox"/> W6 Weathered Bronze |
| P70373-CB, CA, PW, KM, LL or TE      | Per Se Decorative Trip Lever                               | <input type="checkbox"/> BZ Antique Bronze  | <input type="checkbox"/> AD Nickel Silver     | <input type="checkbox"/> 24K Polished Gold   |
|                                      |  | <input type="checkbox"/> CP Polished Chrome | <input type="checkbox"/> SSL Sterling Silver  |  |

We reserve the right to make revisions without notice in the design of products or in packaging unless this right has specifically been waived at the time the order is accepted.