

KALLISTA® Pinna Paletta™ Volume Control Valve Trim

FEATURES

- Solid brass construction for durability and reliability
- Volume control valve allows the user to customize their shower experience
- Complements the Pinna Paletta collection

CODES/STANDARDS APPLICABLE

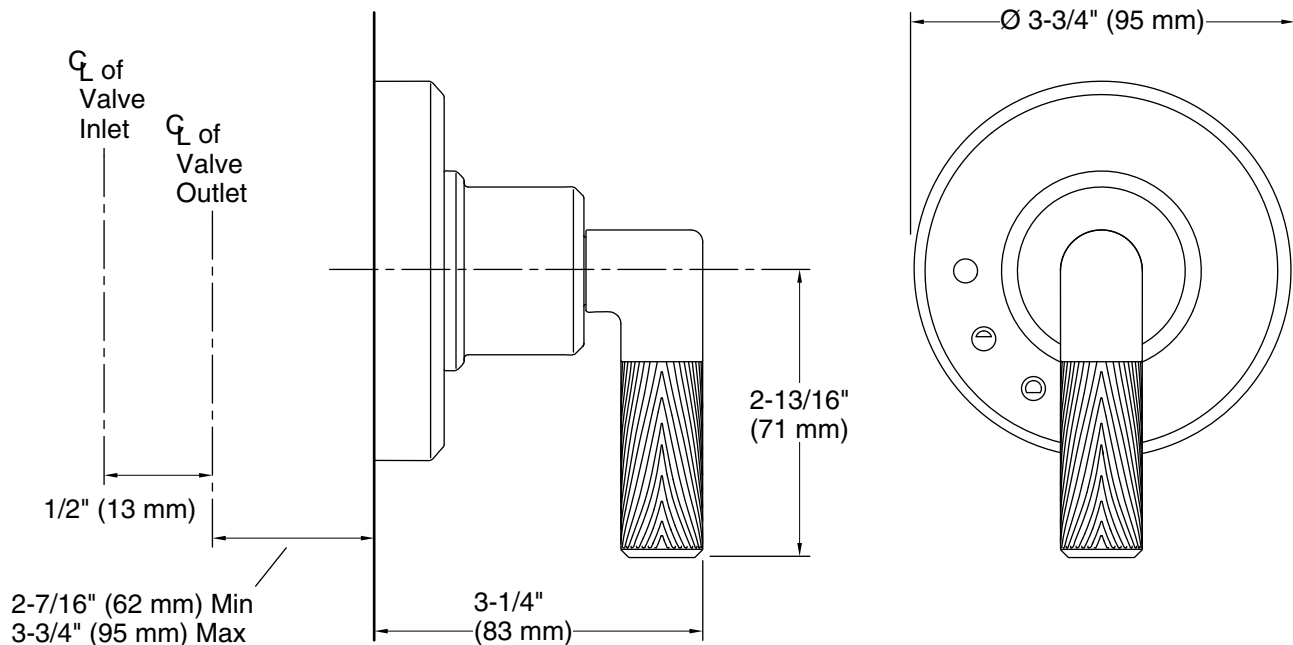
Specified model meets or exceeds the following:

- ASME A112.18.1/CSA B125.1
- ICC/ANSI A117.1
- ADA*
- OBC*
- CSA B651*

ADA **CSA B651** **OBC**

* Compliant when installed to the specific requirement of this regulation

P24923



SPECIFIED MODEL

Model	Description	Finishes
P24923-CPH	Pinna Paletta Volume Control Valve Trim, w/Polished Chrome Accented Lever Handle	<input type="checkbox"/> CP Polished Chrome
P24923-AD	Pinna Paletta Volume Control Valve Trim, w/Nickel Silver Accented Lever Handle	<input type="checkbox"/> AD Nickel Silver
P24923-ADW	Pinna Paletta Volume Control Valve Trim, w/Antique Nickel Silver Accented Lever Handle	<input type="checkbox"/> AD Nickel Silver
P24923-ABW	Pinna Paletta Volume Control Valve Trim, w/Antique American Bronze Accented Lever Handle	<input type="checkbox"/> BZ Antique Bronze
P24923-ULB	Pinna Paletta Volume Control Valve Trim, w/Unlacquered Brass Accented Lever Handle	<input type="checkbox"/> ULB Unlacquered Brass
Required Rough-in		
P29527-00	1/2" Volume Control	<input type="checkbox"/> NA
P29528-00	3/4" Volume Control	<input type="checkbox"/> NA

We reserve the right to make revisions without notice in the design of products or in packaging unless this right has specifically been waived at the time the order is accepted.