

FEATURES

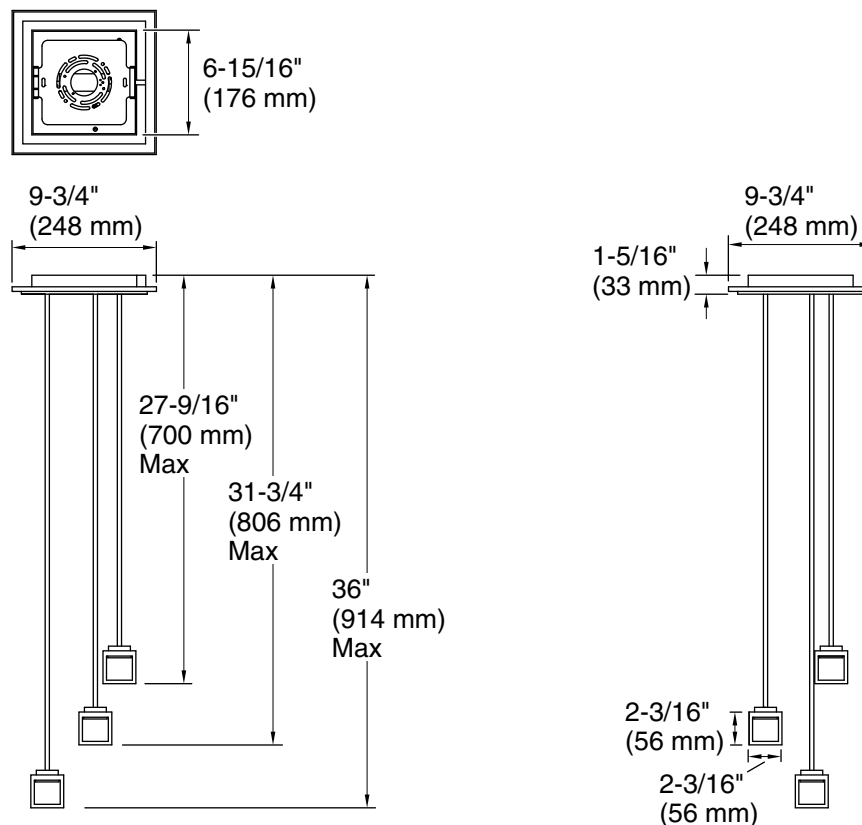
- Metal construction
- Adjustable height
- Includes installation hardware
- For ceiling-mount installation
- LED lights
- Pendant rods can be cut to custom lengths
- Accommodates sloped ceiling installation (2/12 pitch)
- Complements the Grid collection

CODES/STANDARDS APPLICABLE

Specified model meets or exceeds the following:

- ANSI/UL 1598
- CAS-C22.2 No. 250.0

P30971



ELECTRICAL NOTES

Use 4" (102 mm) x 2-1/8" (54 mm) rectangular electrical box for the installation.

SPECIFIED MODEL

Model	Description	Finishes
P30971-00	Grid Pendant	<input type="checkbox"/> BL Matte Black

We reserve the right to make revisions without notice in the design of products or in packaging unless this right has specifically been waived at the time the order is accepted.