



INSTALLATION MANUAL

Dex™ Stainless Steel Undermount Kitchen Sinks

KA1AS17B / KA1AS25B / KA1UD33B / KA1US17B /
KA1US21B / KA1US25B / KA1US32B / KA1US33B /
KD1US17B / KD1US25B / KD1US33B / KD1UD33B

Congratulations on the purchase of your new Kraus plumbing fixture!

Please keep the box and packaging materials until your product is completely installed. If you have any questions, require technical assistance or have any problems with your product:



DO NOT RETURN TO STORE

**Please contact our Customer Service Team
1-800-775-0703 / customerservice@kraususa.com**

Have the model number available and retain a copy of your receipt with purchase date for reference.

If for any reason this product does not meet your expectations, please be sure to repack this product in the original box and packaging material to avoid damage during transit.

Prior to Installation:

- Make sure that you have all necessary parts by checking the parts list. If any part is missing or damaged, please contact Kraus Customer Service at 800-775-0703 for a replacement.
- Inspect the sink prior to installation to make sure that it has not been damaged during shipping.
- Use the cut-out template provided by Kraus.
- Observe all plumbing and building codes according to your state requirements.
- Not recommended to be installed with laminate countertop.

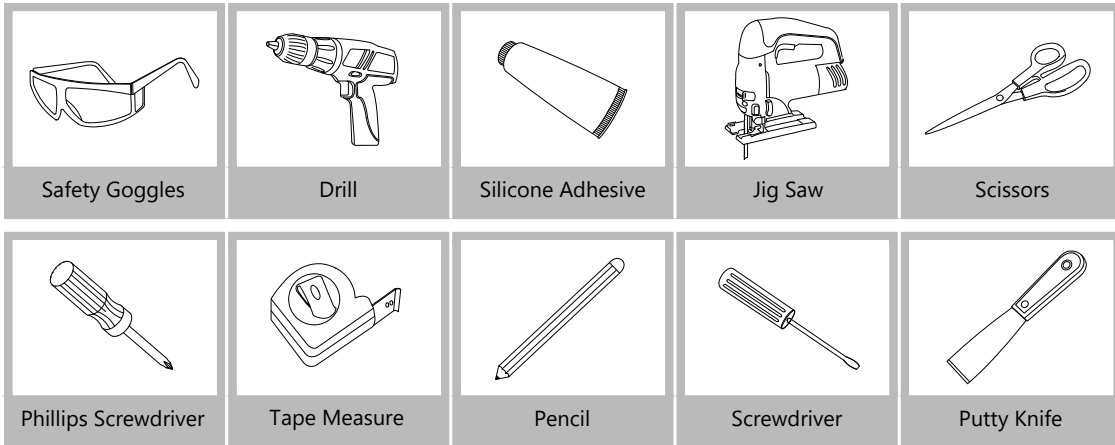
For technical assistance or replacement parts, please contact Kraus

Customer Service and one of our representatives will be happy to help:

Toll-Free: 800-775-0703 or customerservice@kraususa.com

The step-by-step guidelines in the installation instructions are a general reference for installing a Kraus Sink. Should there be any discrepancies, Kraus cannot be held liable. It is recommended to install all Kraus products by hiring a licensed professional.

Tools you will need:



NOTE: Specialized tools may be necessary to install Kraus Stainless Steel Undermount sinks with countertop materials other than wood, marble or granite.

Parts List

KA1AS17B

- Cut-Out Template
- Mounting Hardware

KA1AS25B

- Cut-Out Template
- Mounting Hardware

KA1UD33B

- Cut-Out Template
- Mounting Hardware
- Strainer ST-4 x 2
- Bottom Grid BG1517 x 2

KA1US17B

- Cut-Out Template
- Mounting Hardware
- Strainer ST-4
- Bottom Grid BG1517

KA1US21B

- Cut-Out Template
- Mounting Hardware
- Strainer ST-4
- Bottom Grid BG1915

KA1US25B

- Cut-Out Template
- Mounting Hardware
- Strainer ST-4
- Bottom Grid BG2317

KA1US32B

- Cut-Out Template
- Mounting Hardware
- Strainer ST-4
- Bottom Grid BG3017

KA1US33B

- Cut-Out Template
- Mounting Hardware
- Strainer ST-4
- Bottom Grid BG3117

KD1US17B

- Cut-Out Template
- Mounting Hardware
- Strainer ST-4
- Cover Cap STC-1
- Silicone Mitt KSM-1BLACK

KD1US25B

- Cut-Out Template
- Mounting Hardware
- Strainer ST-4
- Cover Cap STC-1
- Silicone Mitt KSM-1BLACK
- Silicone Trivet KST-1BLACK

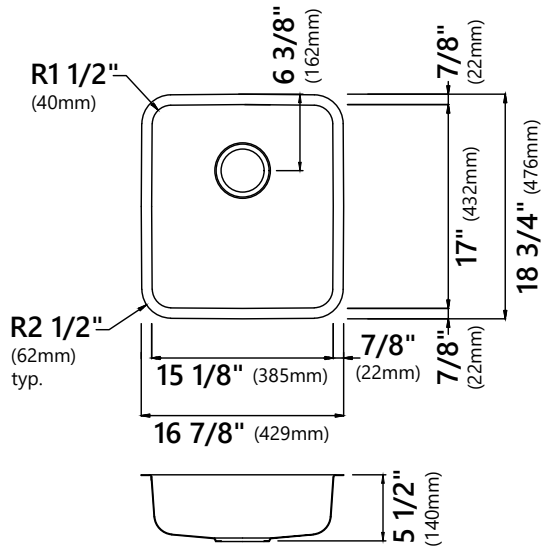
KD1US33B

- Cut-Out Template
- Mounting Hardware
- Strainer ST-4
- Cover Cap STC-1
- Silicone Mitt KSM-1BLACK
- Silicone Trivet KST-1BLACK

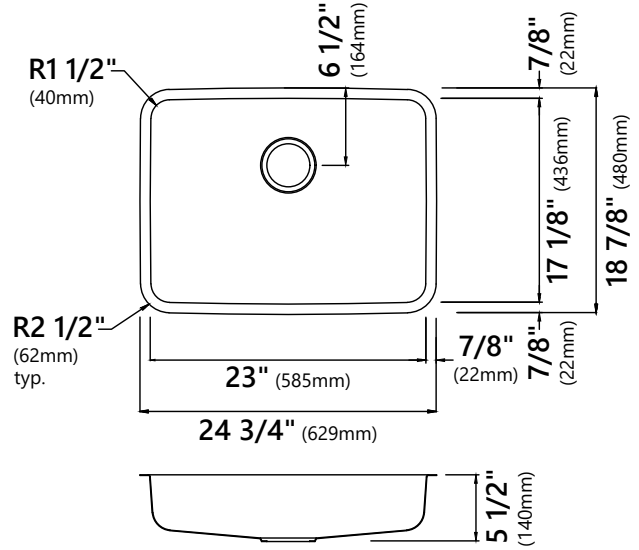
KD1UD33B

- Cut-Out Template
- Mounting Hardware
- Strainer ST-4 x2
- Cover Cap STC-1 x2
- Silicone Mitt KSM-1BLACK
- Silicone Trivet KST-1BLACK

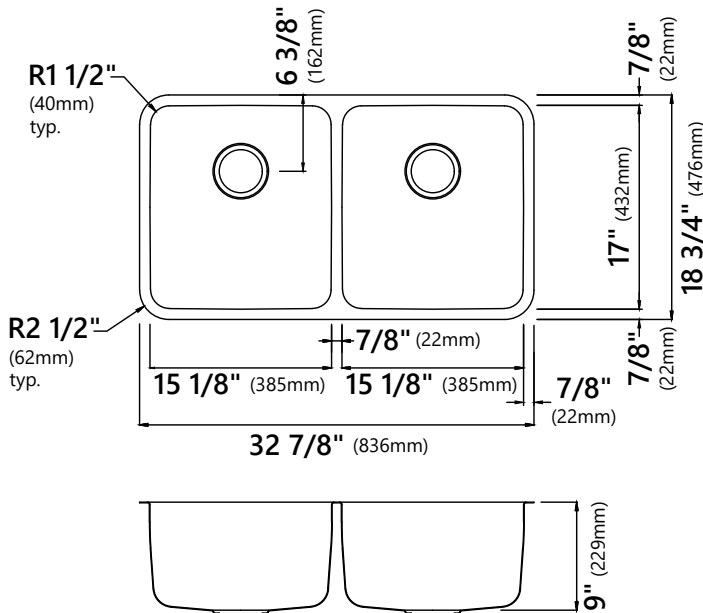
Dimensions



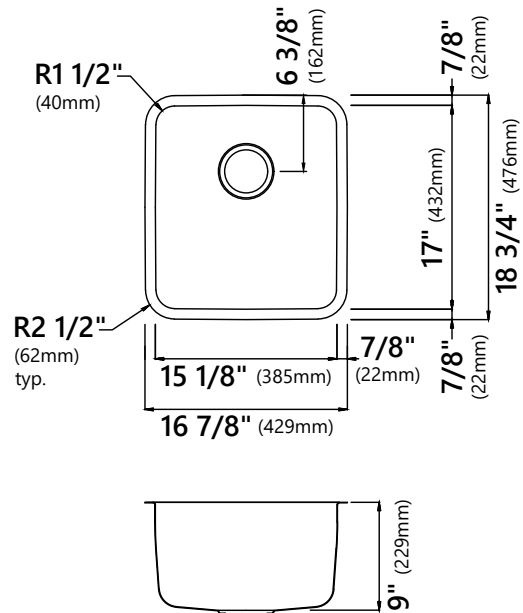
KA1AS17B
 16 7/8" x 18 3/4" x 5 1/2"
 Min Cabinet Size: 21"



KA1AS25B
 24 3/4" x 18 7/8" x 5 1/2"
 Min Cabinet Size: 30"

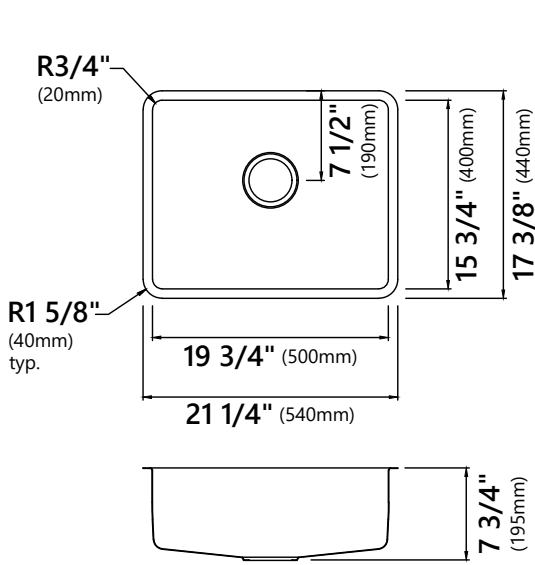


KA1UD33B
 32 7/8" x 18 3/4" x 9"
 Min Cabinet Size: 36"

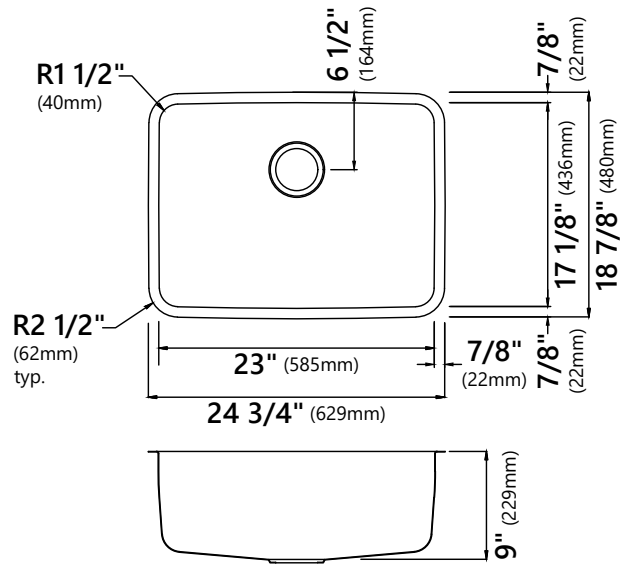


KA1US17B
 16 7/8" x 18 3/4" x 9"
 Min Cabinet Size: 21"

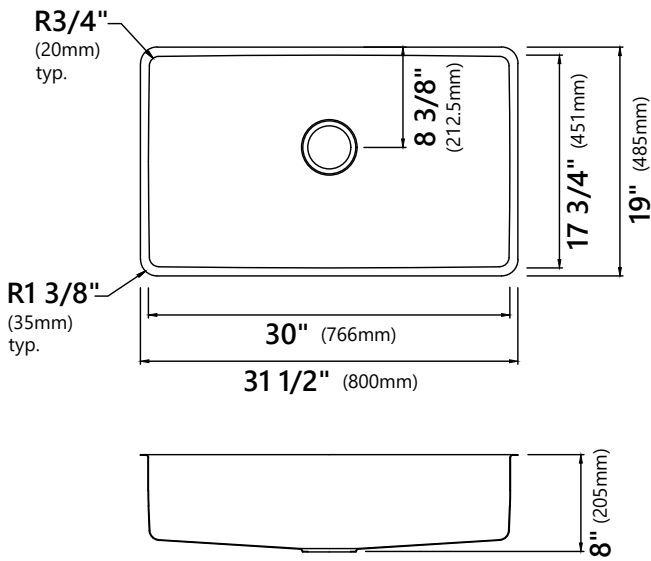
Dimensions



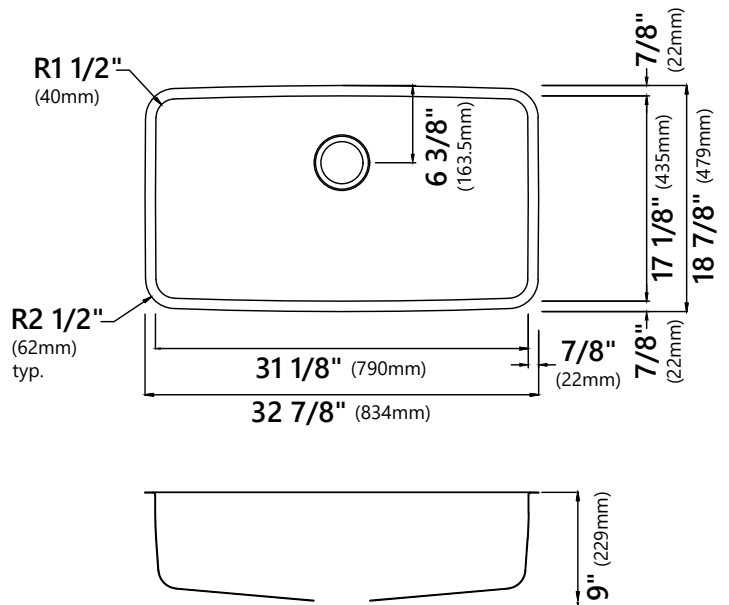
KA1US21B
 21 1/4" x 17 3/8" x 7 3/4"
 Min Cabinet Size: 24"



KA1US25B
 24 3/4" x 18 7/8" x 9"
 Min Cabinet Size: 30"

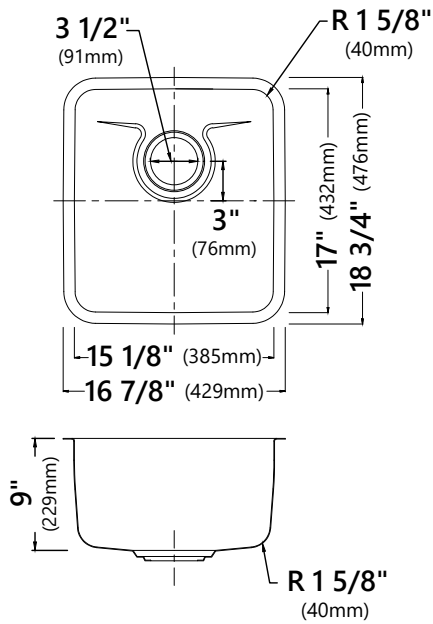


KA1US32B
 31 1/2" x 19" x 8"
 Min Cabinet Size: 36"

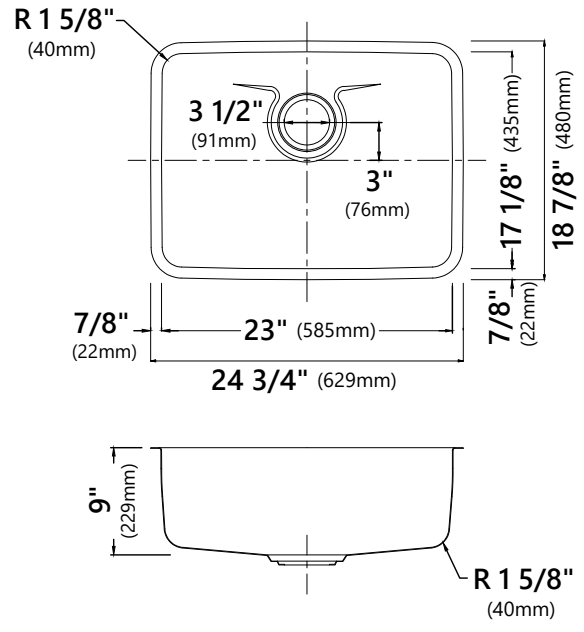


KA1US33B
 32 7/8" x 18 7/8" x 9"
 Min Cabinet Size: 36"

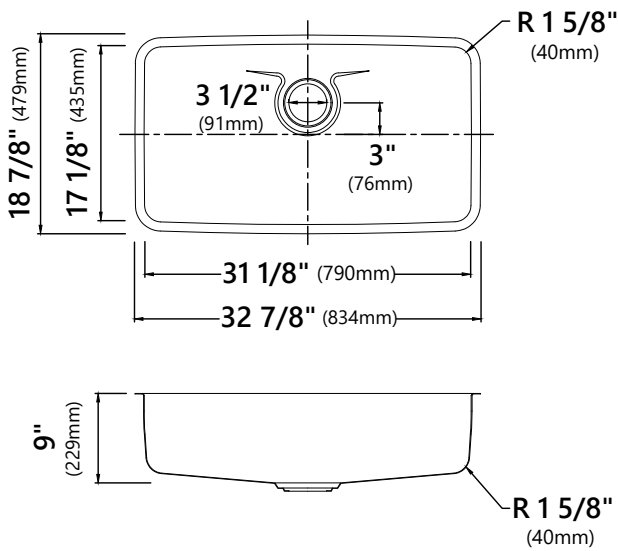
Dimensions



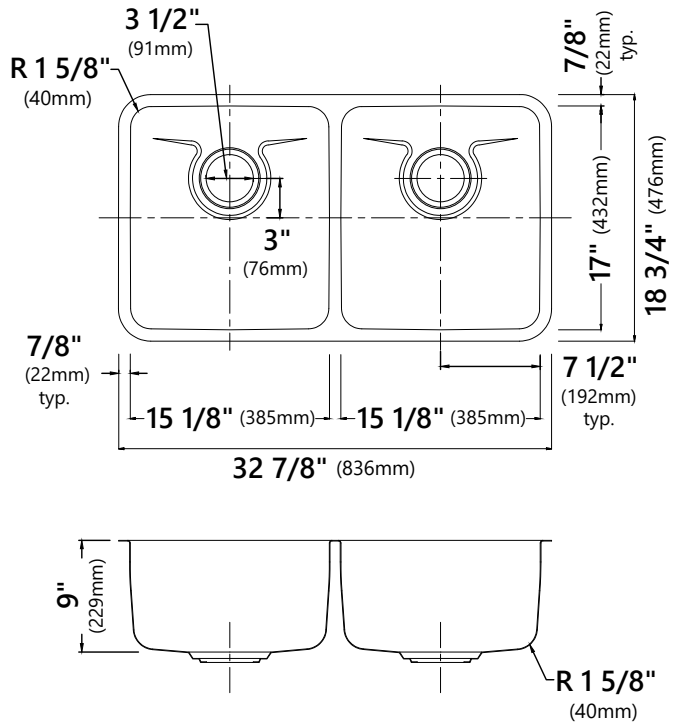
KD1US17B
 16 7/8" x 18 3/4" x 9"
 Min Cabinet Size: 21"



KD1US25B
 24 3/4" x 18 7/8" x 9"
 Min Cabinet Size: 30"



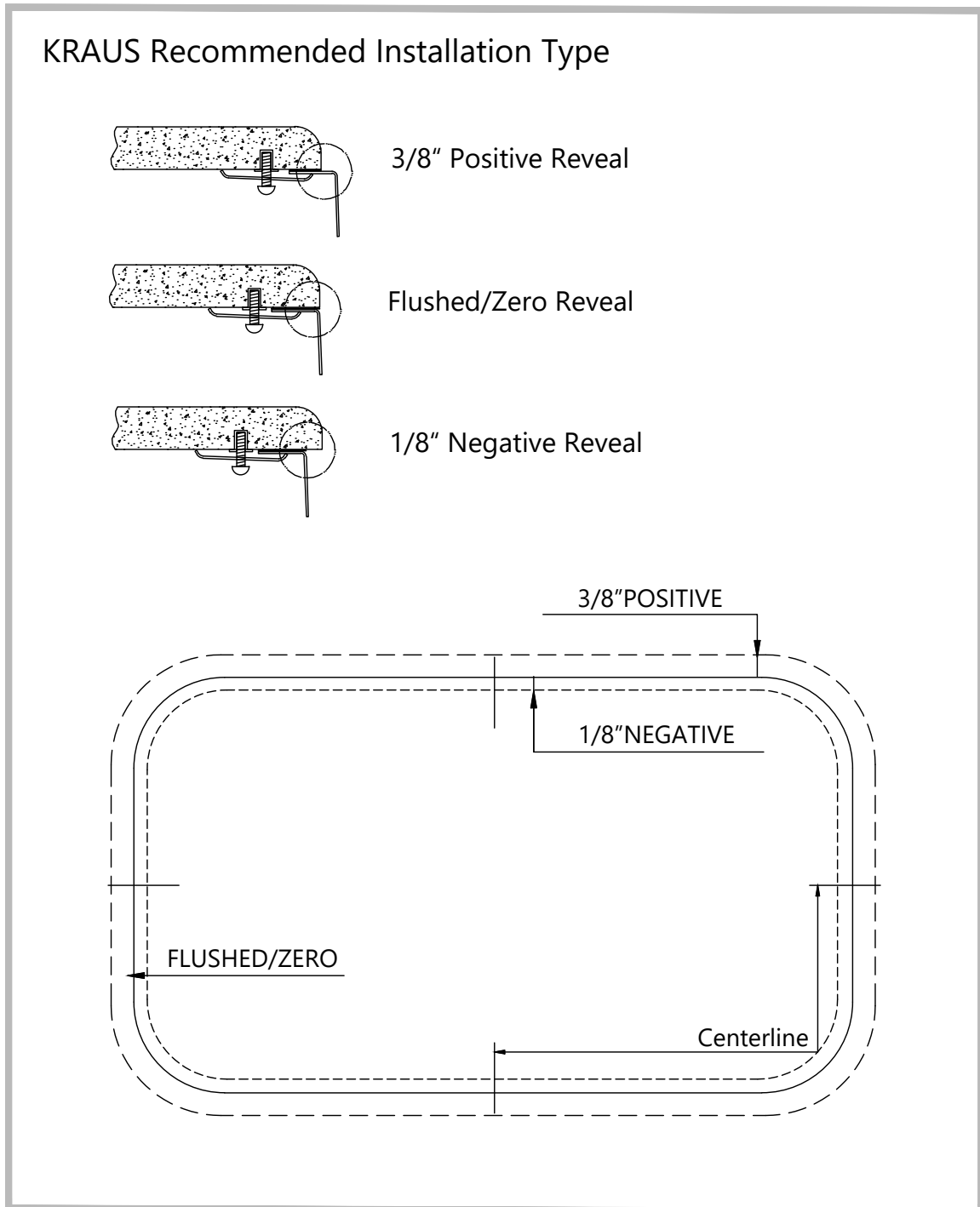
KD1US33B
 32 7/8" x 18 7/8" x 9"
 Min Cabinet Size: 36"



KD1UD33B
 32 7/8" x 18 3/4" x 9"
 Min Cabinet Size: 36"

1. Determine Reveal Type

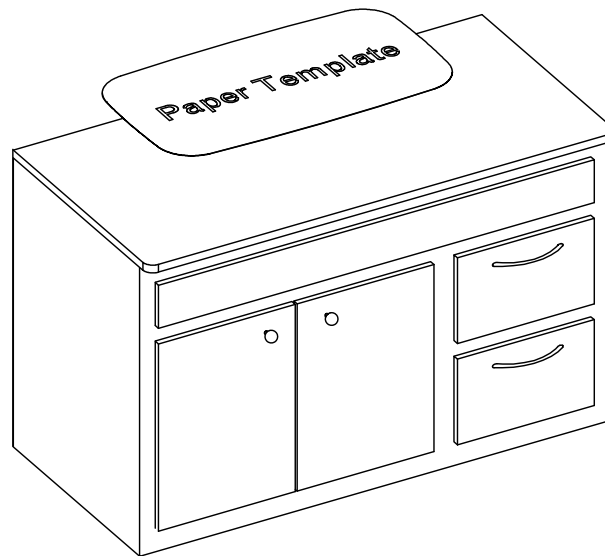
Use scissors to cut along the line of the paper template for your desired reveal type (Negative, Positive or Flushed Reveal).



2. Position Template

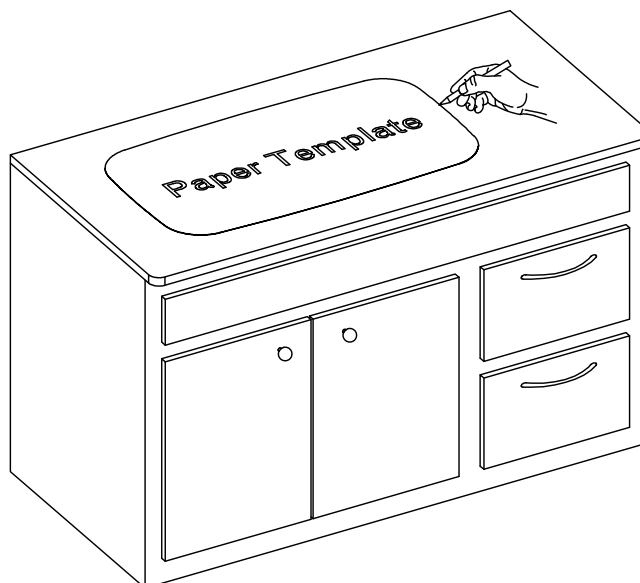
- Check the cut-out template against the actual sink to ensure a proper sized cut-out.
- Place the cut-out template in the desired location on the countertop.

NOTE: Make sure clearance is suitable for backsplash, faucet and plumbing for the sink.



3. Trace Template

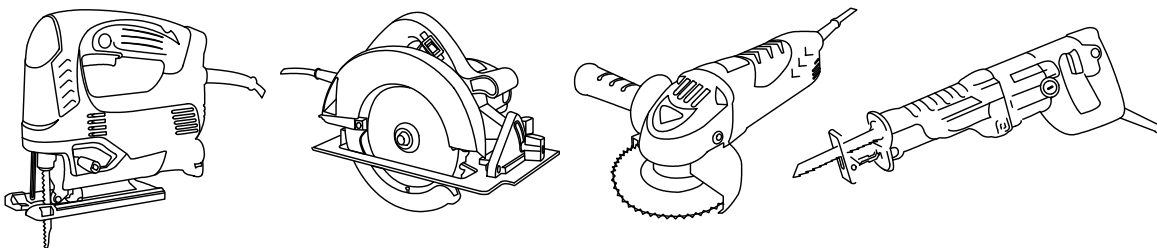
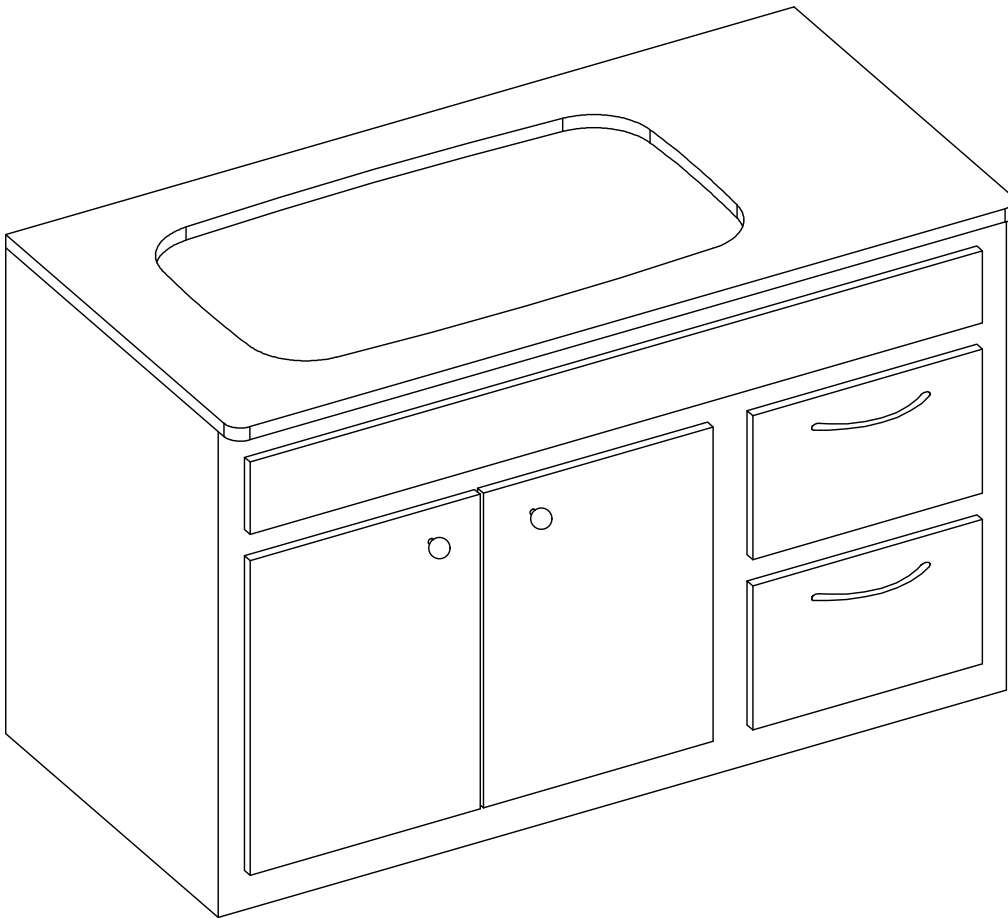
- Trace template on countertop with a pencil.



4. Cut Countertop

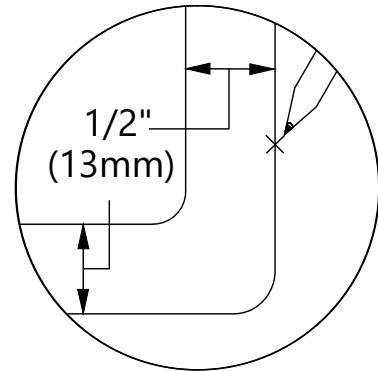
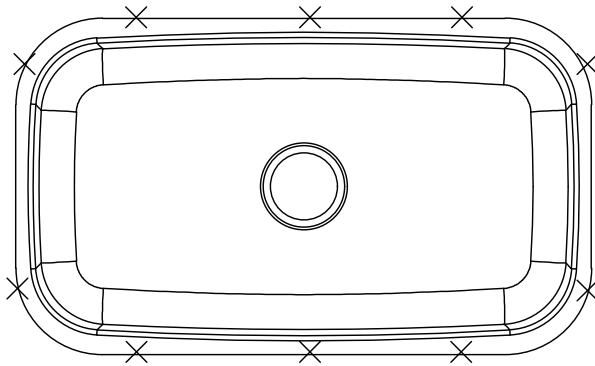
- Cut the opening in the countertop by carefully following the traced line.

NOTE: Please use the appropriate saw that best fits your countertop material.



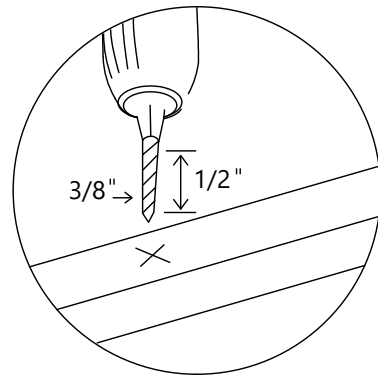
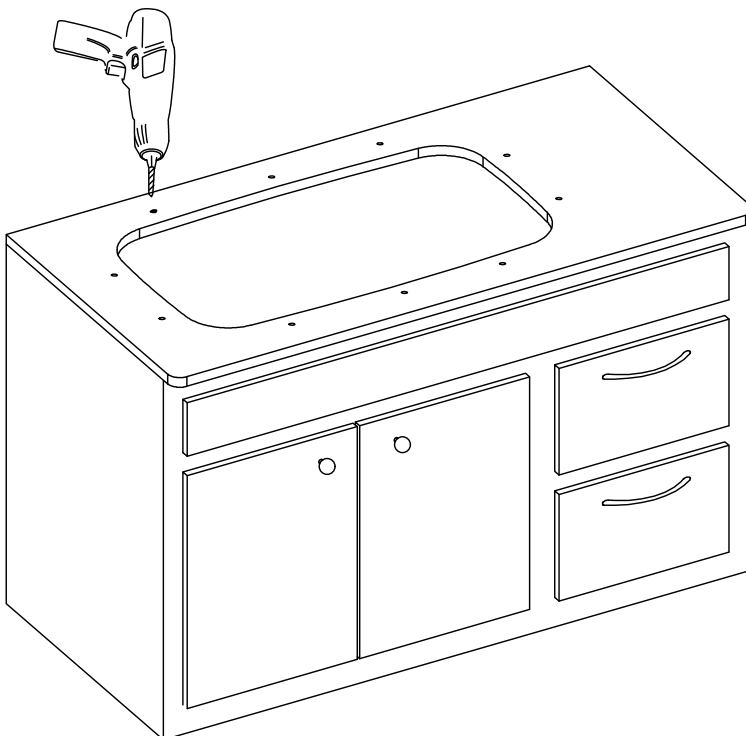
5. Set up Mounting Brackets

- Turn countertop over and align sink with countertop. Decide location for mounting brackets.
- Mounting holes should be 1/2" from edge of sink.



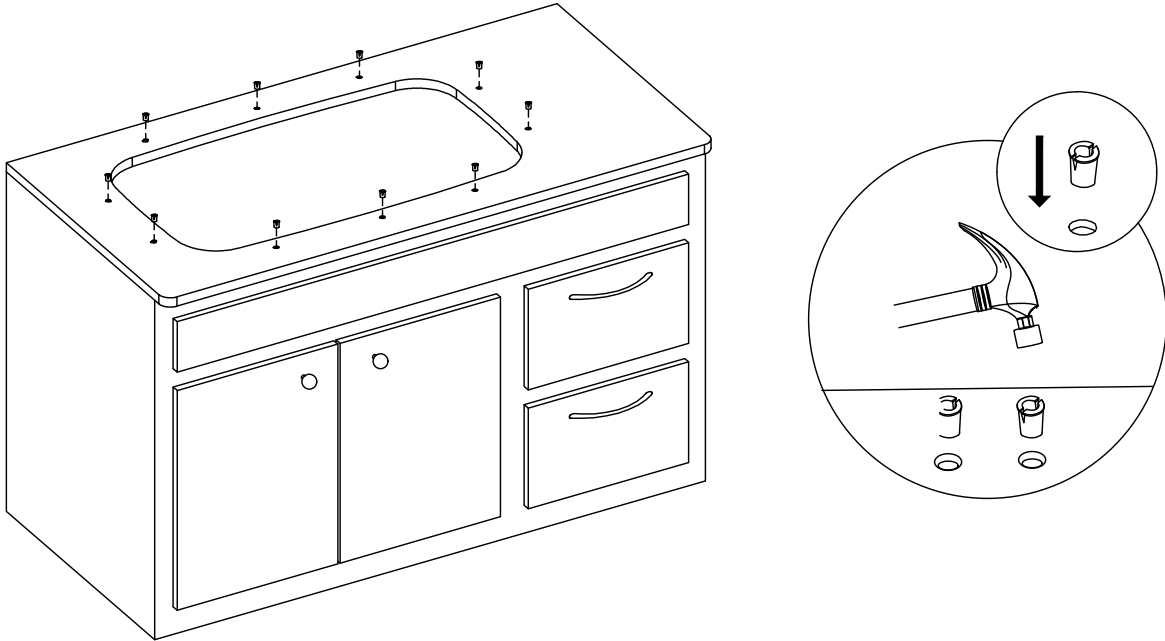
6. Drill Hole in Countertop

- Drill 3/8" diameter x 1/2" deep hole in countertop.



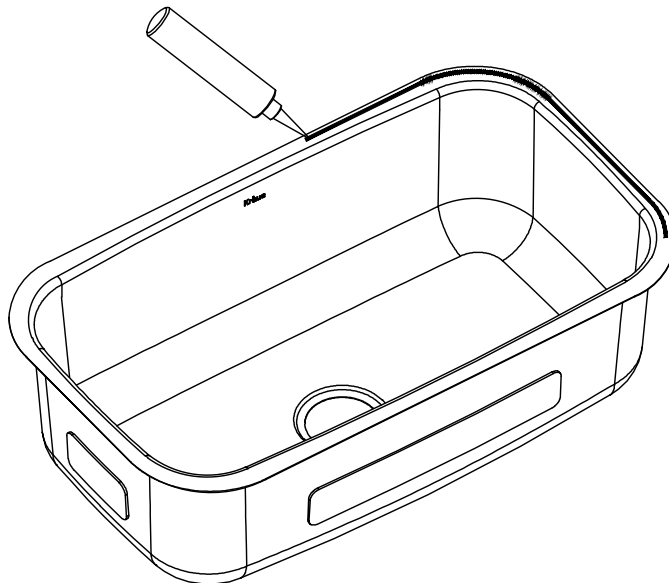
7. Install Anchors

- Insert anchors into drilled holes and lightly tap with a hammer until flush.



8. Secure Sink to Countertop

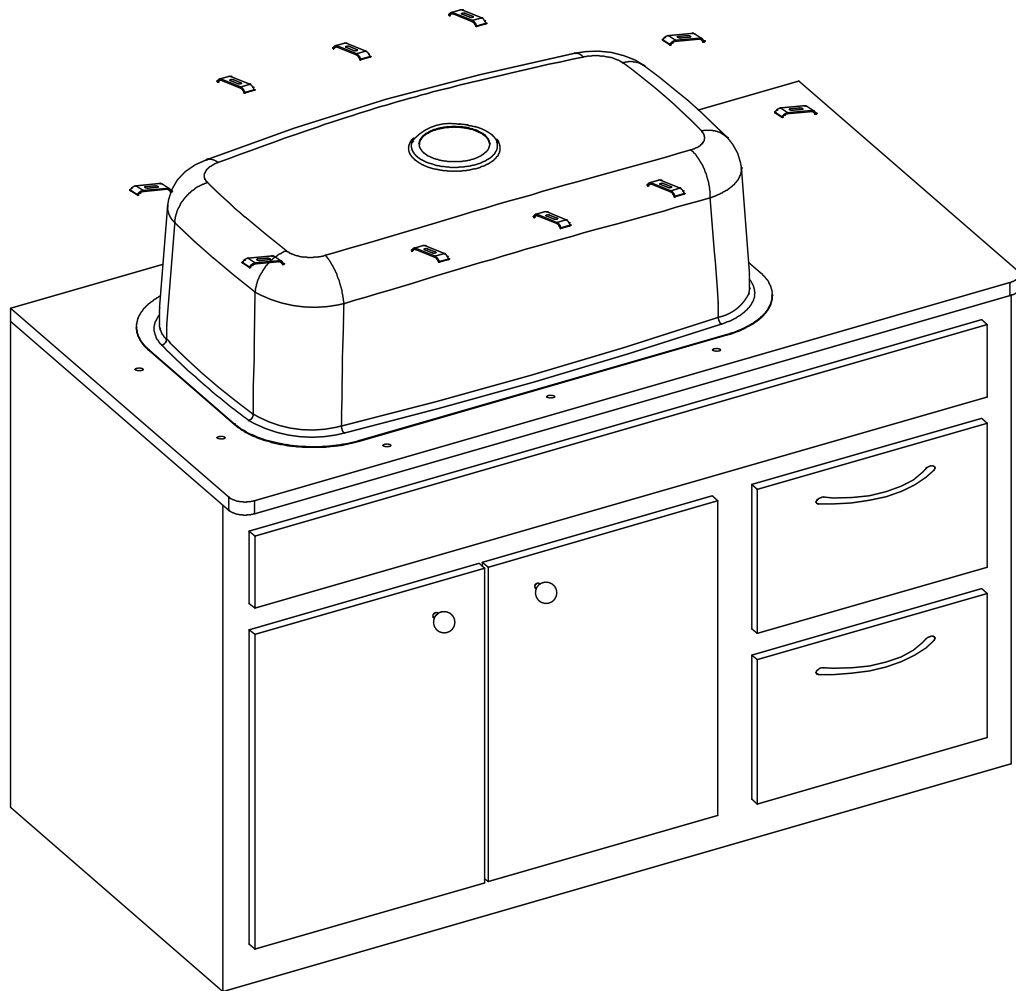
- Use a bead of silicone (or preferred adhesive) around the rim of the sink. Check the alignment of the sink to the cutout in the countertop. Place sink over cutout hole and press firmly.



9. Attach Mounting Hardware

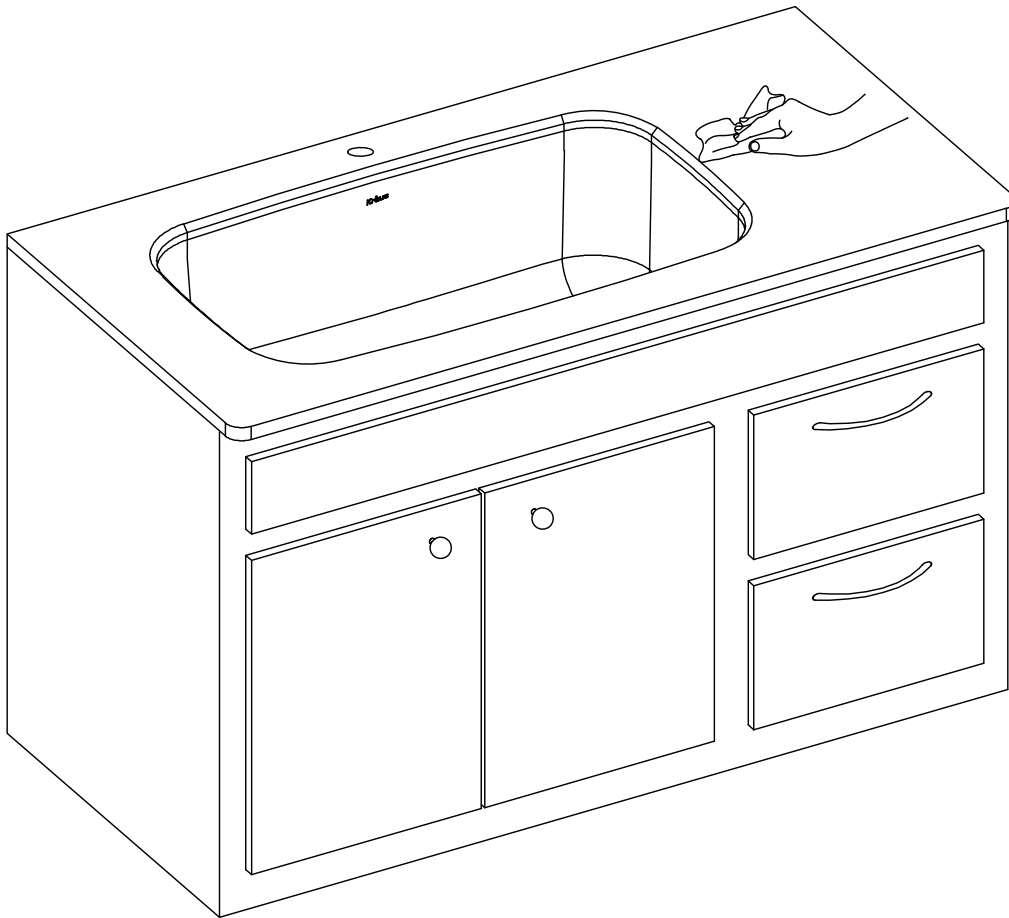
- Attach mounting hardware to secure bowl. Remove excess sealant from inside lip.
- Allow sealant to set for 30 - 60 minutes.

NOTE: Use acetone or rubbing alcohol to remove any excess sealant.



10. Install Plumbing Fixtures

- Connect drain to sink. Connect trap to drain. Connect water supply connections to faucet according to manufacturer's instructions.
- Run water into sink and check for leaks.
- **Note:** Before installation, please check that the drain kit complies with ASME A112.18.2/CSA B125.2 and with CUPC certification.



Codes/Standards Applicable:



Kitchen Sink Warranty

Kraus products are manufactured and tested to the highest quality standards by Kraus USA Inc. ("Kraus").

Kraus extends this warranty to the original purchaser for personal household use of the "Kitchen Sink" in its original location. The warranty is non-transferable.

Kraus warrants the structure and finish of the product to be free from defects in material and workmanship under normal usage for the lifetime of the product. The warranty commences from the initial date of purchase by the owner or trade professional, from an authorized Kraus dealer, through the lifetime of the original owner or end-user.

Any product reported to the authorized dealer or to Kraus as being defective within the warranty period will be repaired or replaced with a product of equal value at the option of Kraus. This warranty extends to the original owner or end-user, and is not transferable to a subsequent owner.

Restrictions

This warranty does not cover antediluvian, discontinued, or display products, whether such items are purchased at discount outlets, unauthorized dealers, and/or sold on clearance.

This warranty does not cover instances of negligence, misuse, abuse, improper installation, carelessness, accident, hard water or mineral deposits, exposure to corrosive materials, misapplication, damages caused by improper maintenance, alteration of the product, or failure to follow care or installation instructions enclosed with your product. Avoid using abrasive cleaners such as powders, bleach, ammonia, alcohol, or chlorine. Avoid using abrasive pads, steel wool, or wire brushes, as these will damage and wear down the finish.

This warranty does not apply to Products that have not been installed or operated in accordance with instructions supplied by Kraus and all applicable rules, regulations, and legislation pertaining to such installations.

Kraus USA recommends that all Kraus products are installed by fully licensed and insured trade professionals with experience in the installation of bathroom and/or kitchen manufactured goods.

This warranty does not cover labor charges or costs of removal and reinstallation of said product. This warranty does not allow recovery of incidental or consequential damages, such as loss of use, delay, property damage, or other consequential damages, and Kraus accepts no liability for such damages.

This warranty does not cover Marine or Outdoor Installation.

This warranty does not cover any free gifts included with purchase.

Except as otherwise provided above, Kraus makes no warranties, expressed or implied, including warranties of merchantability and fitness for a particular purpose, or compliance with any code.

Shipping charges will be covered for the first (1) year of the warranted replacement part or product (HI, AK, and Puerto Rico shipping charges may apply). International shipping fees are not included.

Commercial Warranty

Kraus extends the above warranty for a period of one (1) year to purchasers of products for industrial, commercial, and business use.

All incidental or consequential damages are specifically excluded. No additional warranties, express or implied, are given, including but not limited to any implied warranty of merchantability or fitness for a particular purpose.

Some states do not allow the exclusion or limitation of incidental or consequential damages or limitations on how long an implied warranty lasts, so the above limitations or exclusions may not apply to you.

This warranty gives you specific legal rights, and you may also have other rights which vary from state to state.

KRAUS USA has the right to change, modify, and/or update the warranty policy at any time. For the latest, most up to date comprehensive warranty, go to www.kraususa.com/warranty

If you are a homeowner, please contact a Kraus Customer Service Representative at:

Kraus USA, Inc.
12 Harbor Park Drive
Port Washington, NY 11050
Toll-Free : 800-775-0703
Customerservice@kraususa.com

If you are a plumbing contractor or trade professional, please contact a Kraus Pro Representative at:

Kraus USA, Inc.
12 Harbor Park Drive
Port Washington, NY 11050
516-801-8955
Proservice@kraususa.com

If you are an authorized partner, please contact a Partner Support Representative at:

Kraus USA, Inc.
12 Harbor Park Drive
Port Washington, NY 11050
516-801-8954
Partnersupport@kraususa.com

In requesting warranty service, please be ready to provide:

1. Proof of purchase.
2. A description of the problem.

Download the Kraus Care & Maintenance Guide at:

<http://www.kraususa.com/maintenance>

IMPORTANT

Register Your Kraus Product

Activate Your Warranty

Access Premium Customer Support

Get Product Information

REGISTER TODAY

<http://www.kraususa.com/registration>



Kräus[®]
www.kraususa.com

