

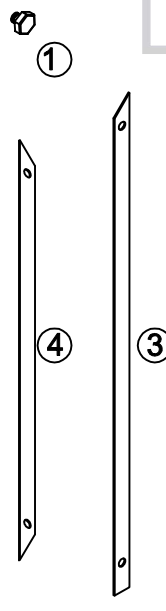
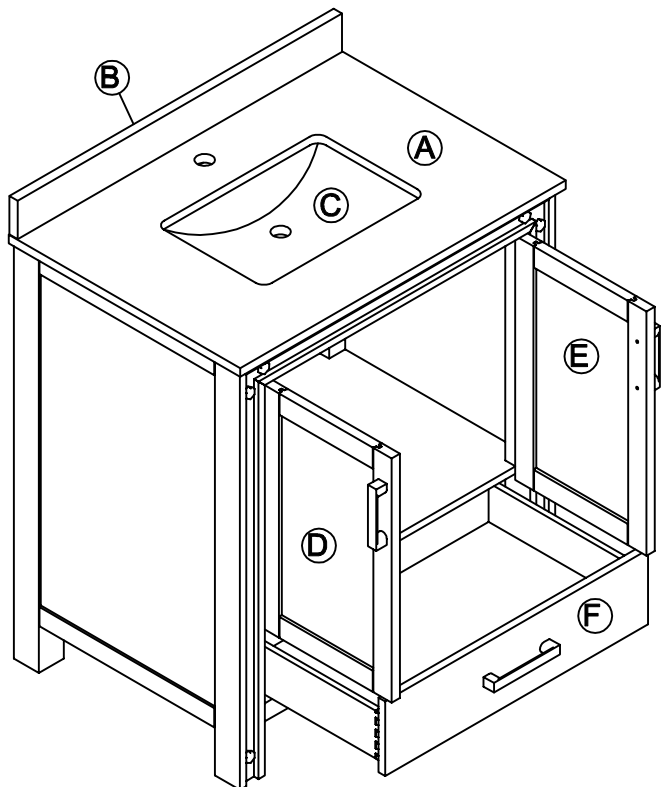
PART LIST



LEXORA®

HOME DECOR & HOME FURNISHINGS

#1



2

4

3

H

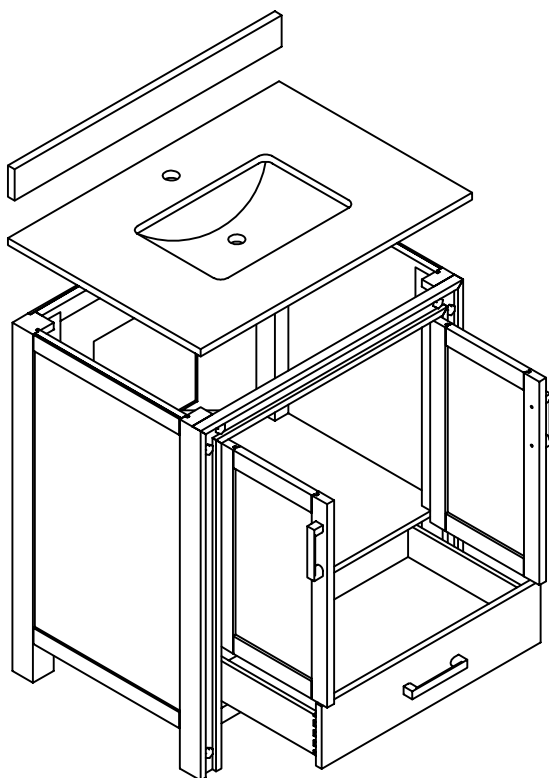
I

G

L

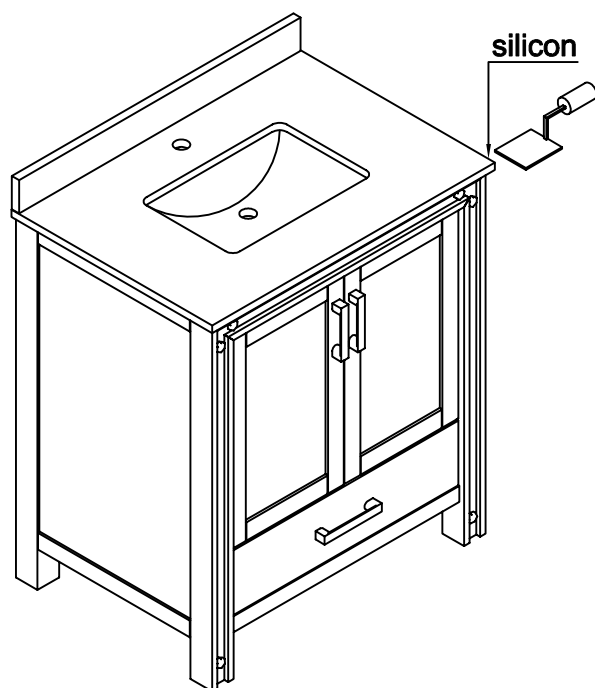
PART #	DESCRIPTION	QUANTITY
A	Countertop	1
B	Backsplash	1
C	Basin	1
D	Door (Left)	1
E	Door (Right)	1
F	Drawer	1
G	Hinge (Door)	4
H	Handle (Door)	2
I	Handle (Drawer)	1
L	Drawer glides	1
1	Button	6
2	Hardware (Left)	1
3	Hardware (Right)	1
4	Hardware (long)	1

INSTALLATION



A

B



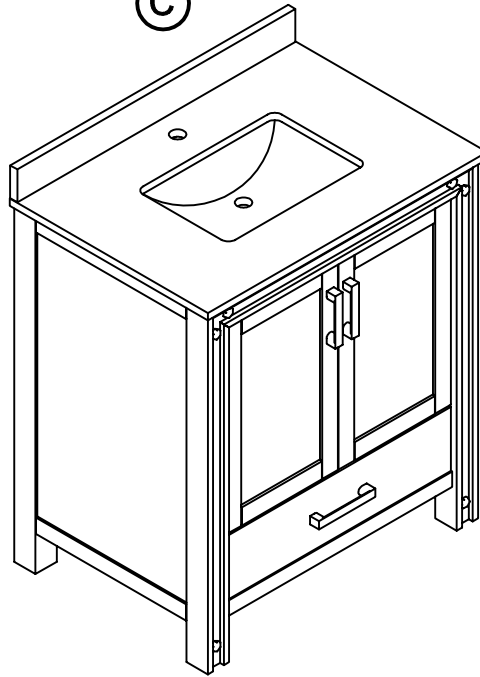
silicon

INSTALLSTION

#1

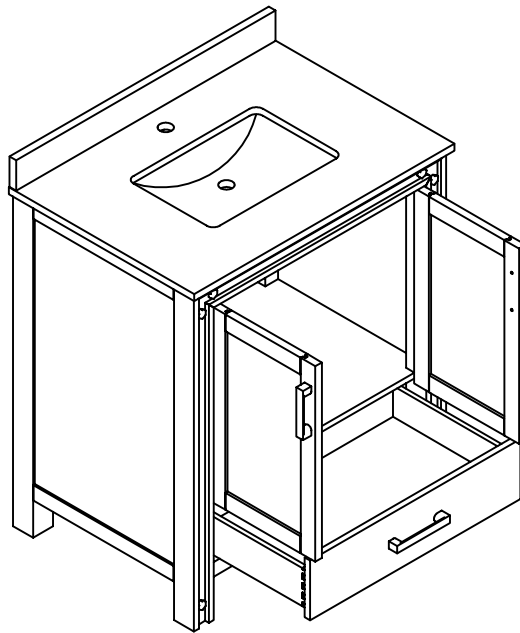


(C)



#2

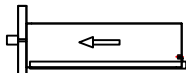
DRAWER



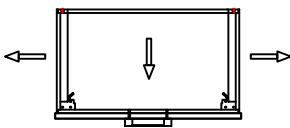
REMOVE

INSTALL

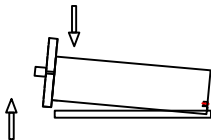
1



2



3



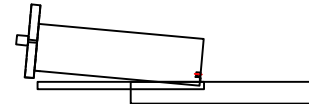
4



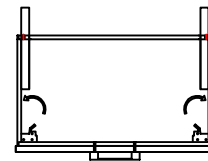
(B)

(C)

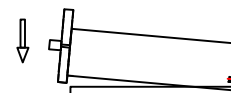
1



2



3



4

