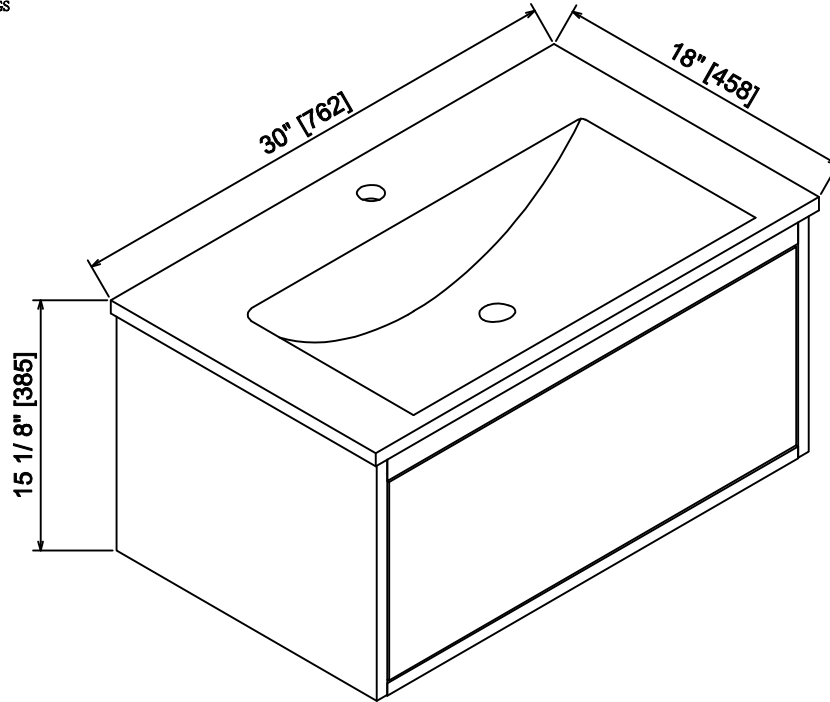




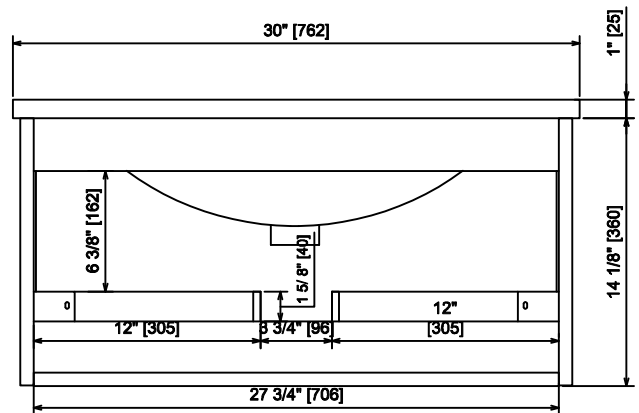
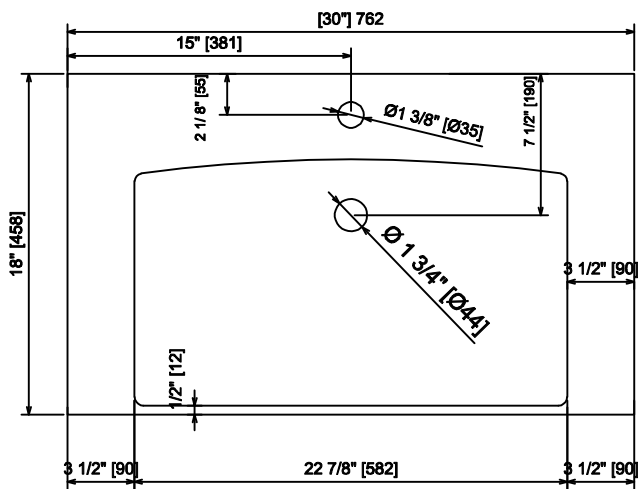
**LEXORA®**

HOME DECOR & HOME FURNISHINGS

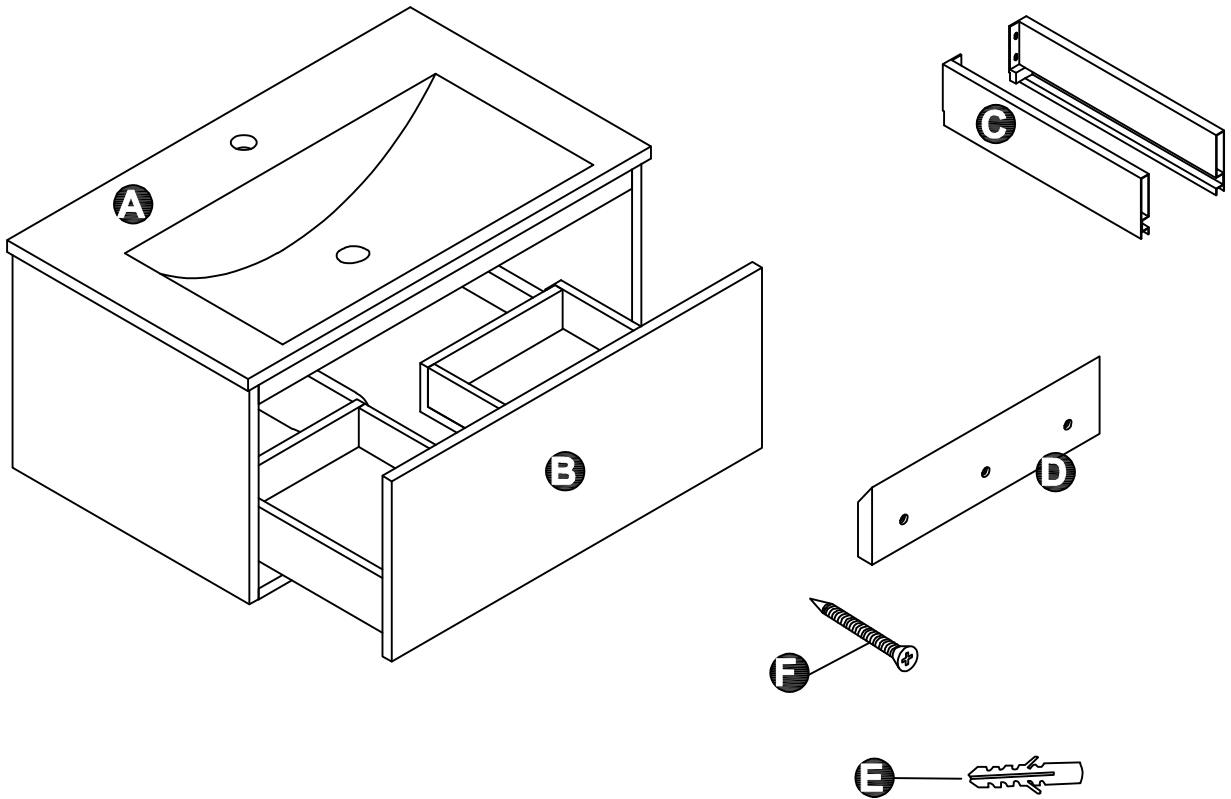
**LSC30SRAOS000**



**DIMENSIONS**



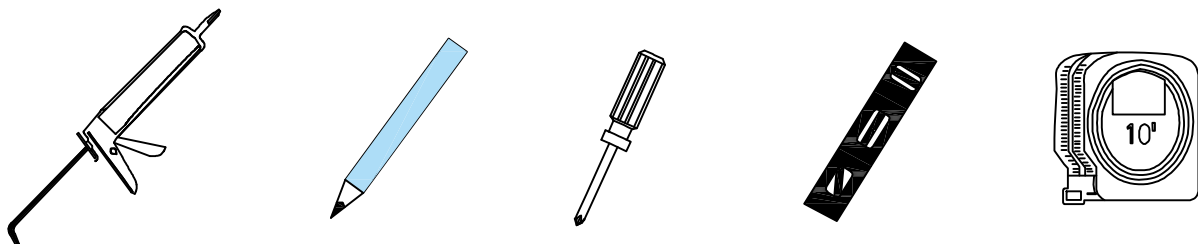
## PART LIST



PART	DESCRIPTIONS	QUANTITY
A	Composite Sink	1
B	Drawer	2
C	Drawer glides	2

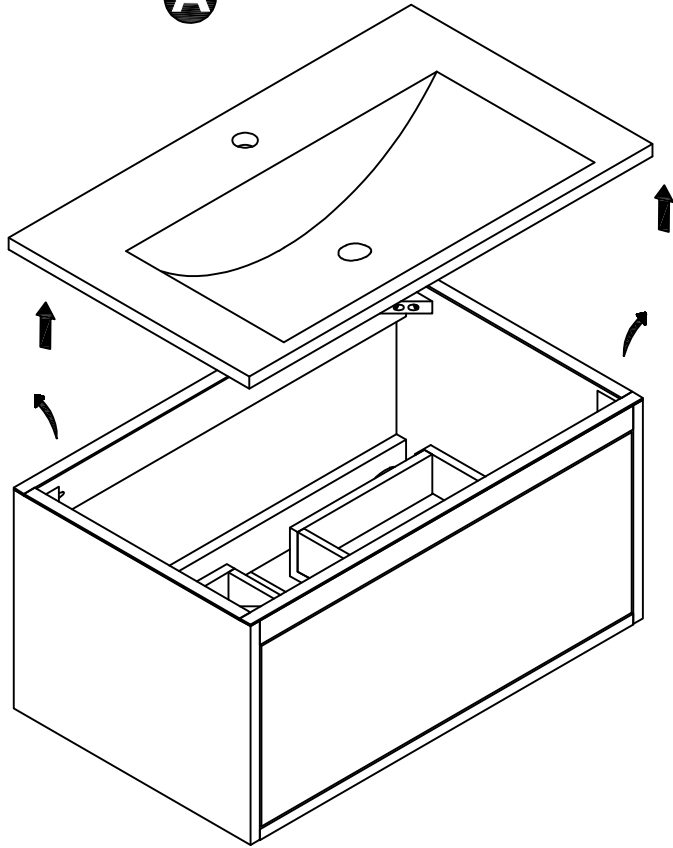
PART	DESCRIPTIONS	QUANTITY
D	Cleat Wood	1
E	Plastic Plug	3
F	Screw	3

## TOOLS REQUIRED (NOT INCLUDED)



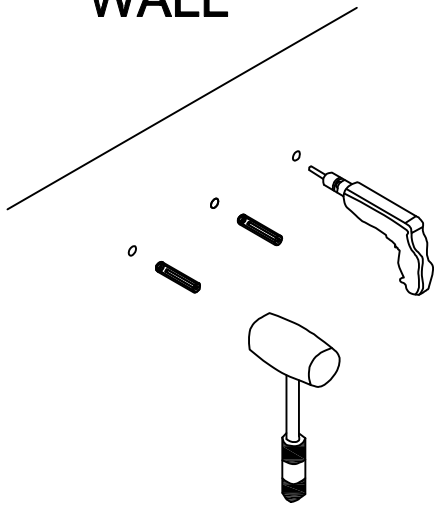
# INSTALLATION

**A**

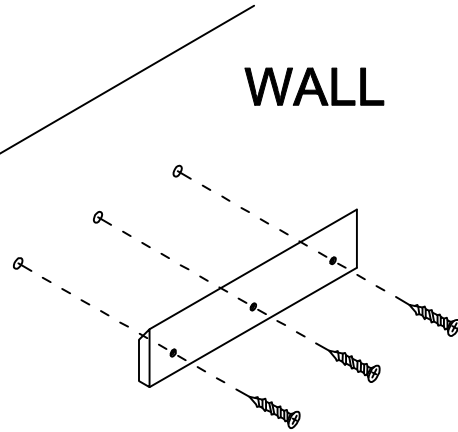


**B**

WALL



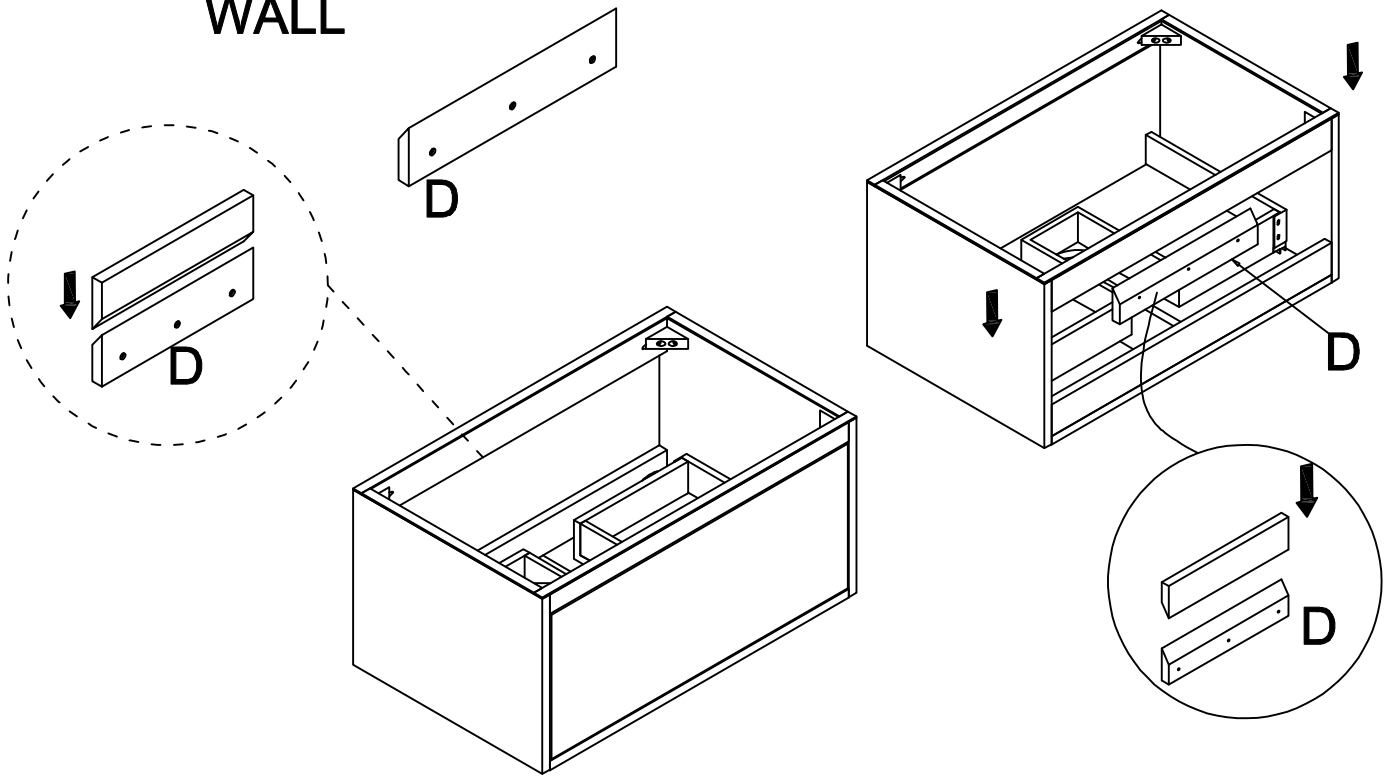
WALL



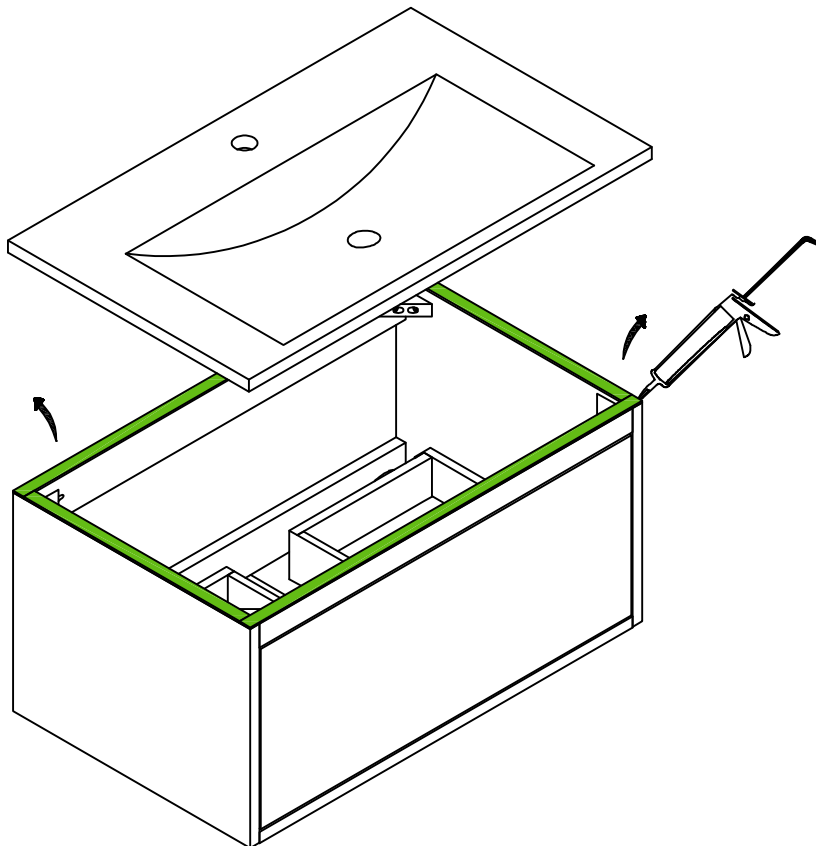
# INSTALLATION

WALL

**C**

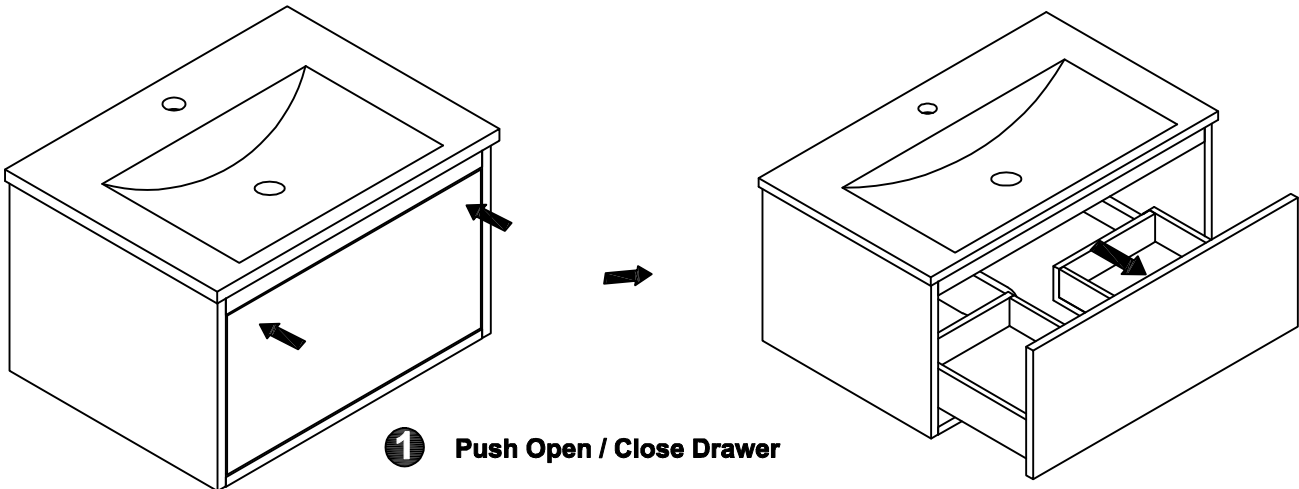


**D**



# DRAWER

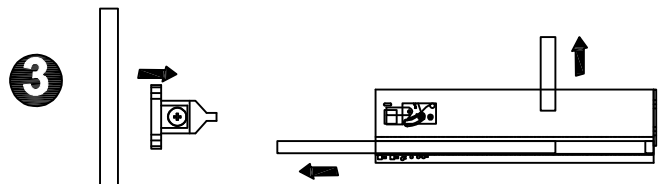
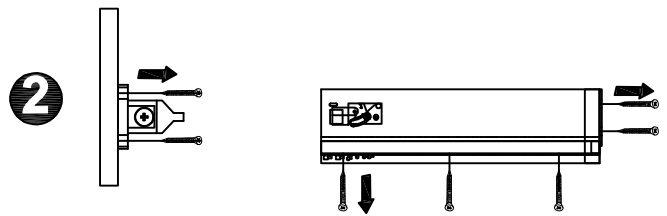
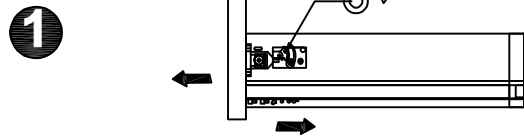
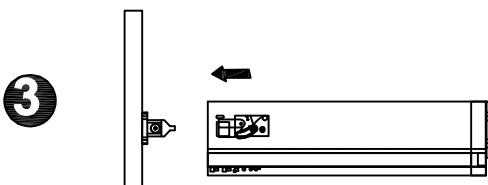
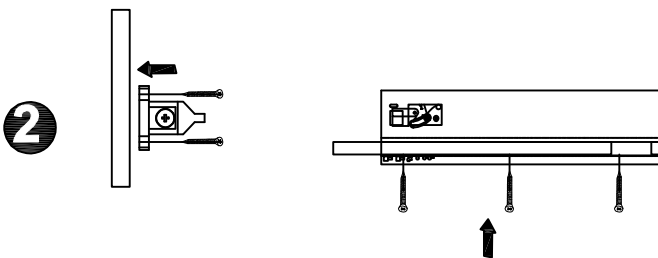
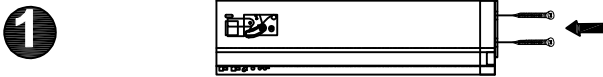
**A**



**1** Push Open / Close Drawer

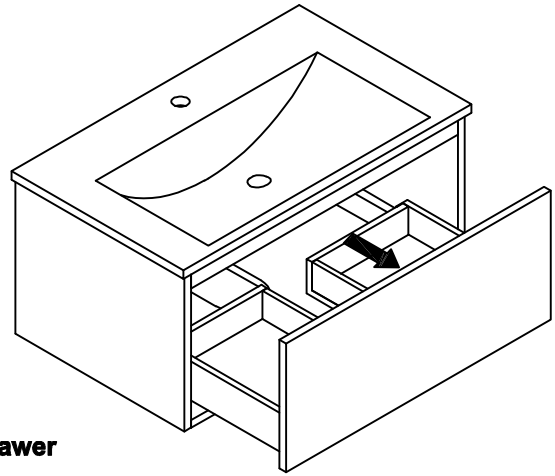
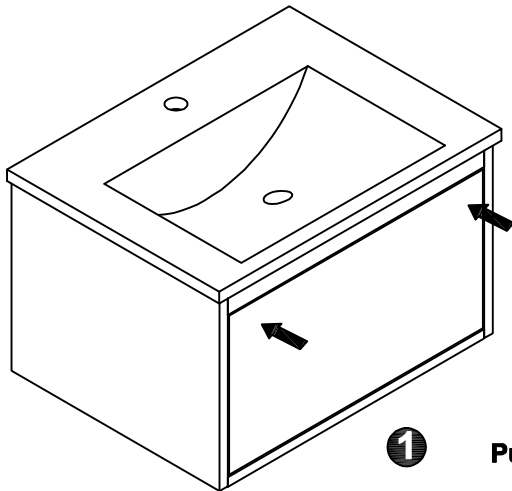
## INSTALL

## REMOVE



# DRAWER

**A**

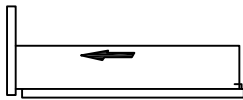


**1**

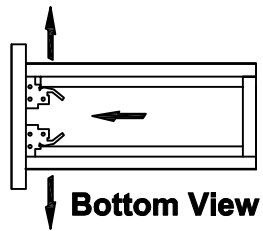
**Push Open / Close Drawer**

## INSTALL

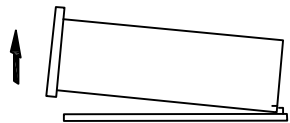
**1**



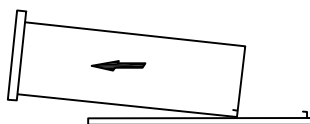
**2**



**3**

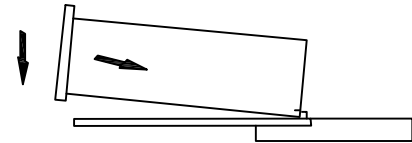


**4**

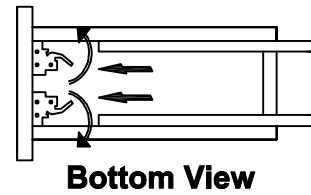


## REMOVE

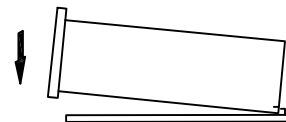
**1**



**2**



**3**



**4**

