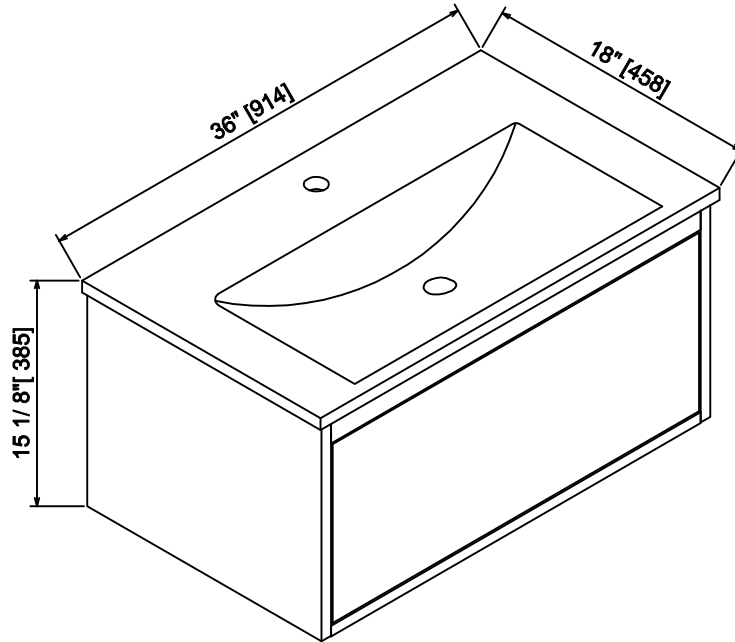




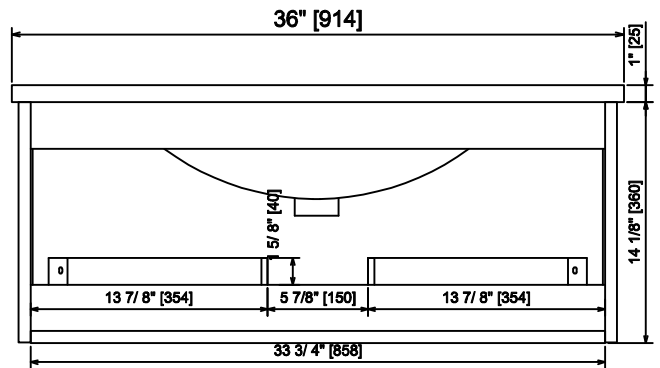
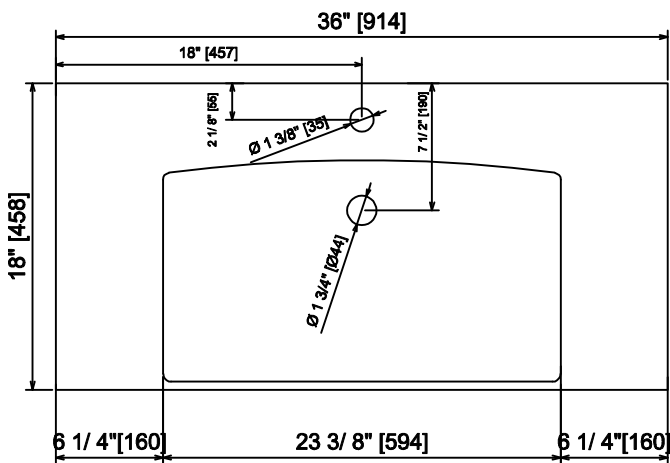
LEXORA®

HOME DECOR & HOME FURNISHINGS

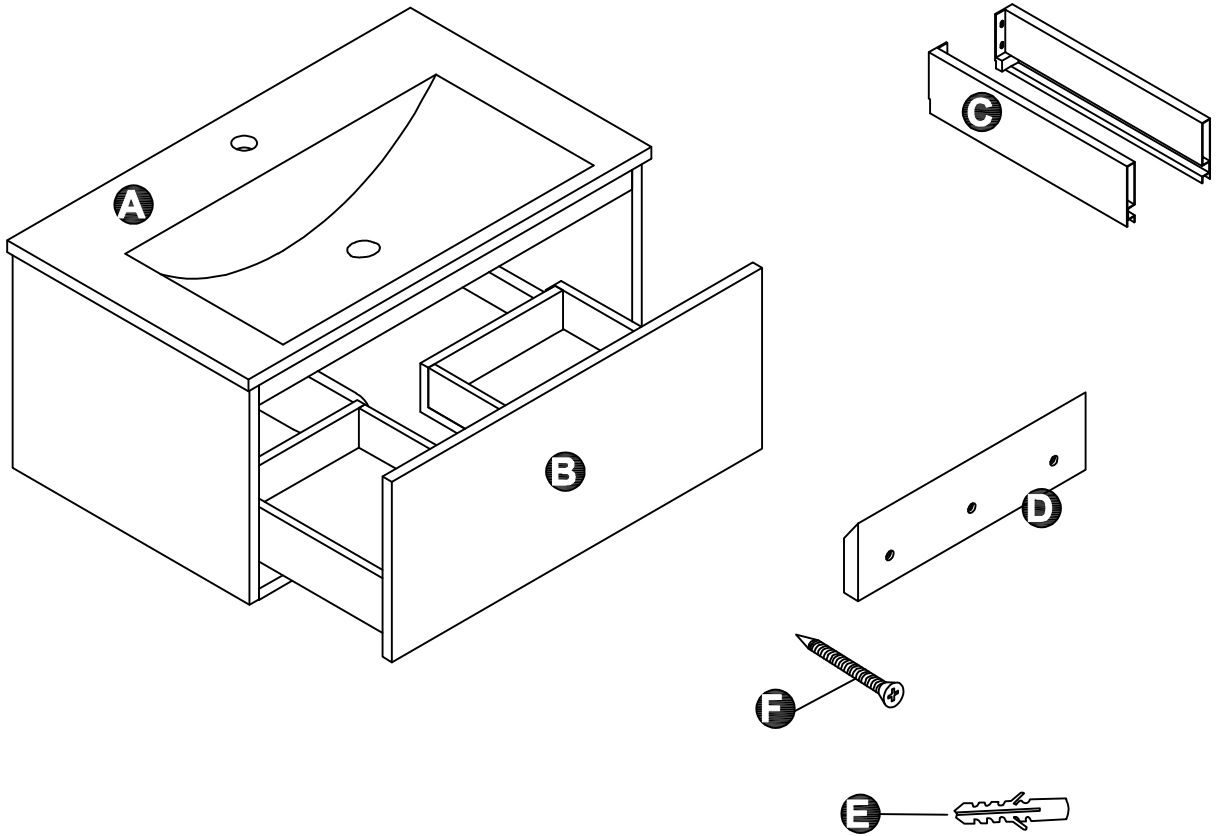
LSC36SRAOS000



DIMENSIONS



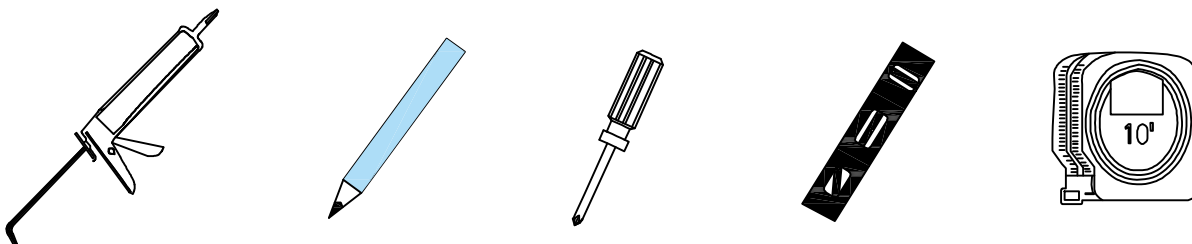
PART LIST



PART	DESCRIPTIONS	QUANTITY
A	Composite Sink	1
B	Drawer	2
C	Drawer glides	2

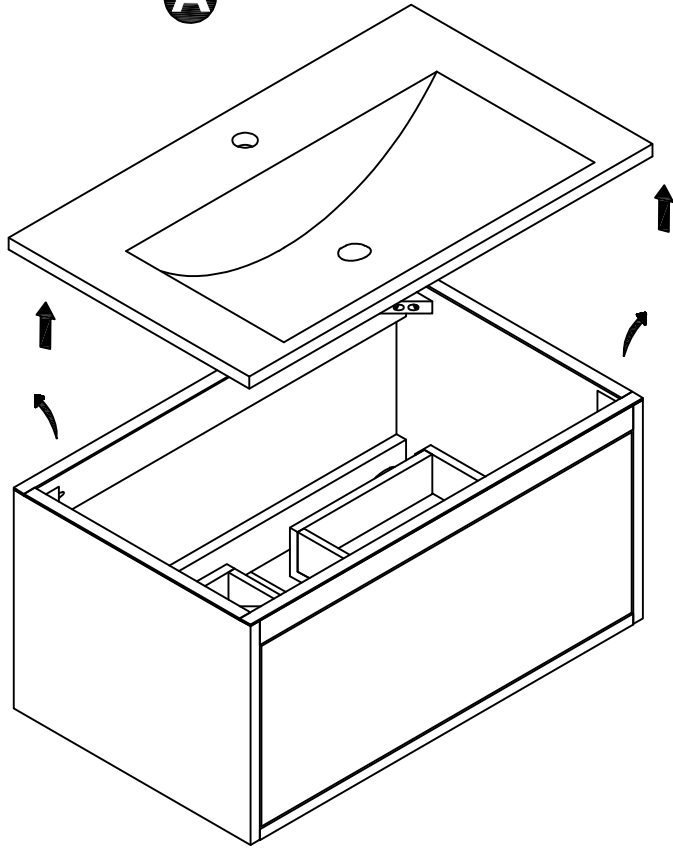
PART	DESCRIPTIONS	QUANTITY
D	Cleat Wood	1
E	Plastic Plug	3
F	Screw	3

TOOLS REQUIRED (NOT INCLUDED)

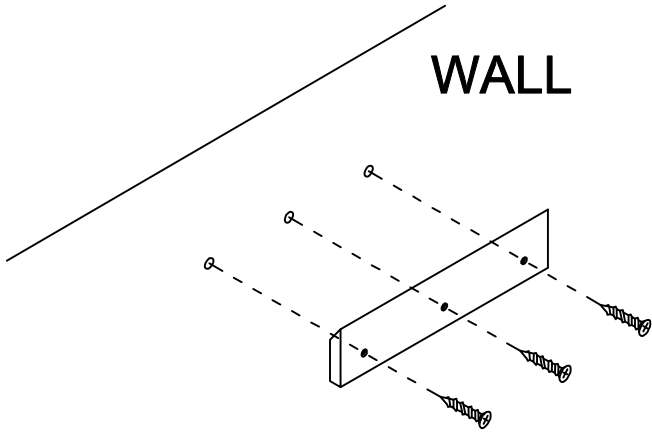
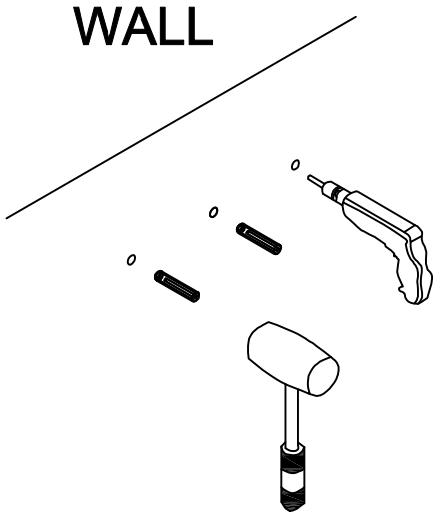


INSTALLATION

A



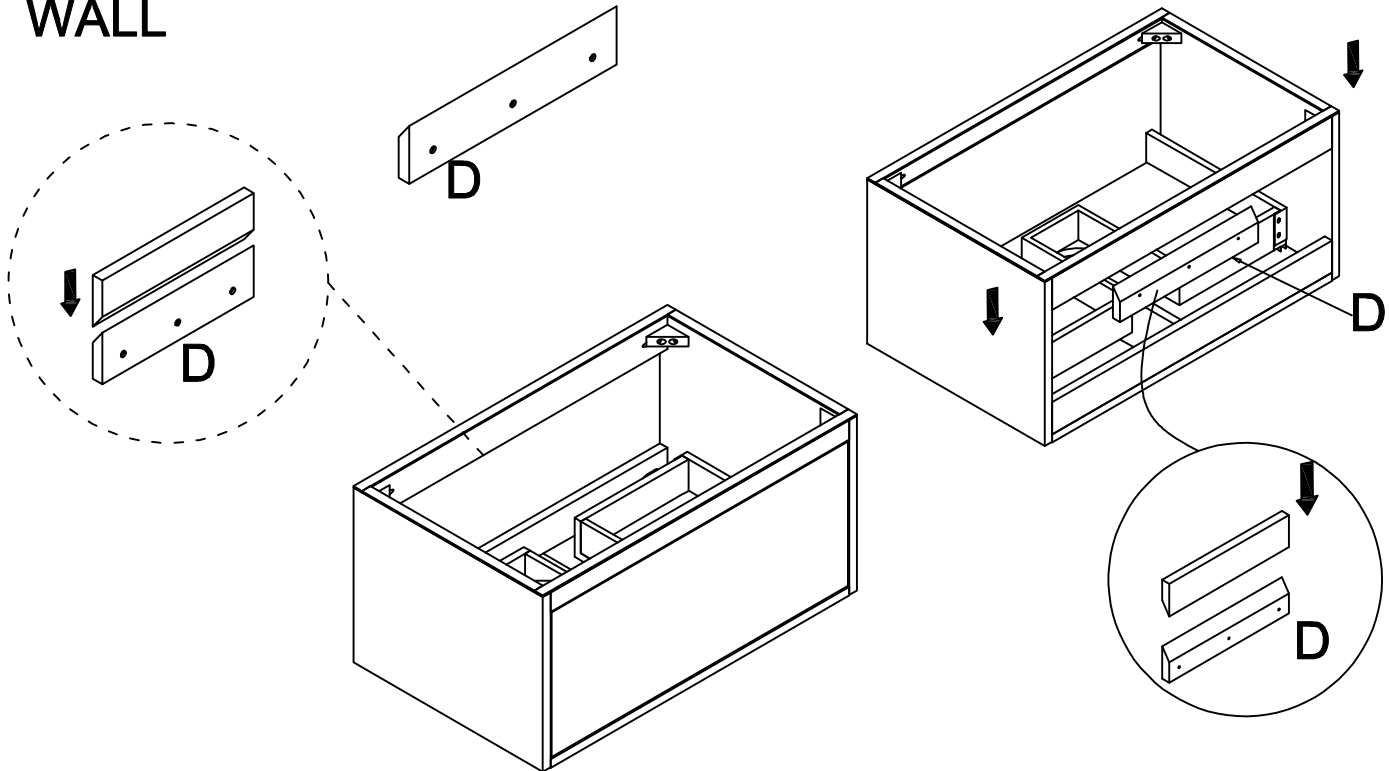
B



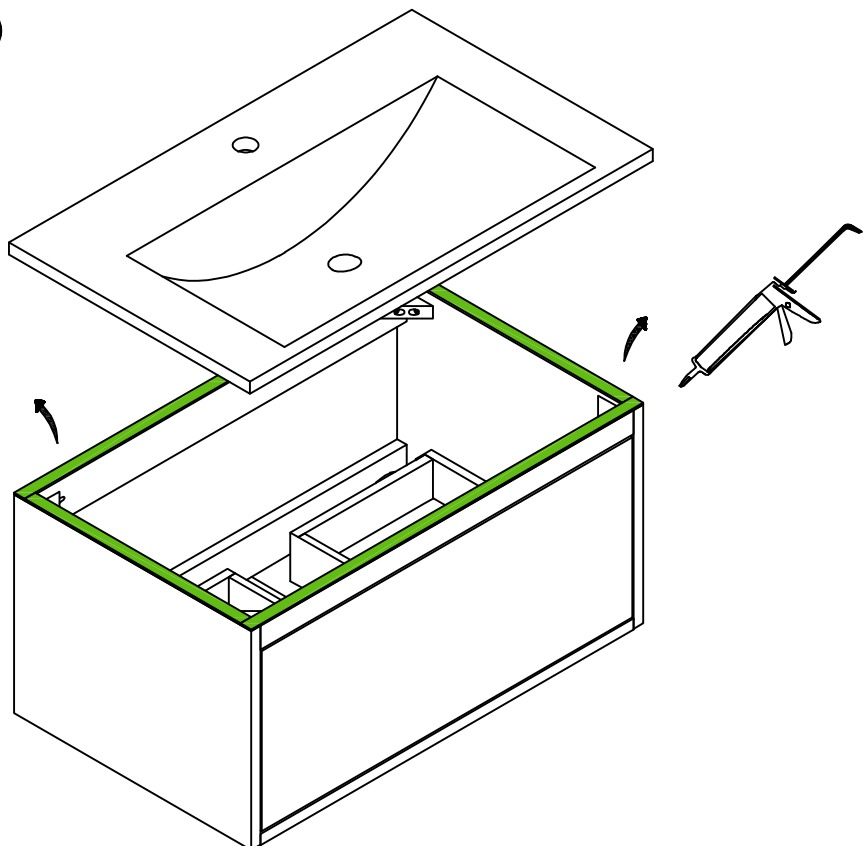
INSTALLATION

WALL

C

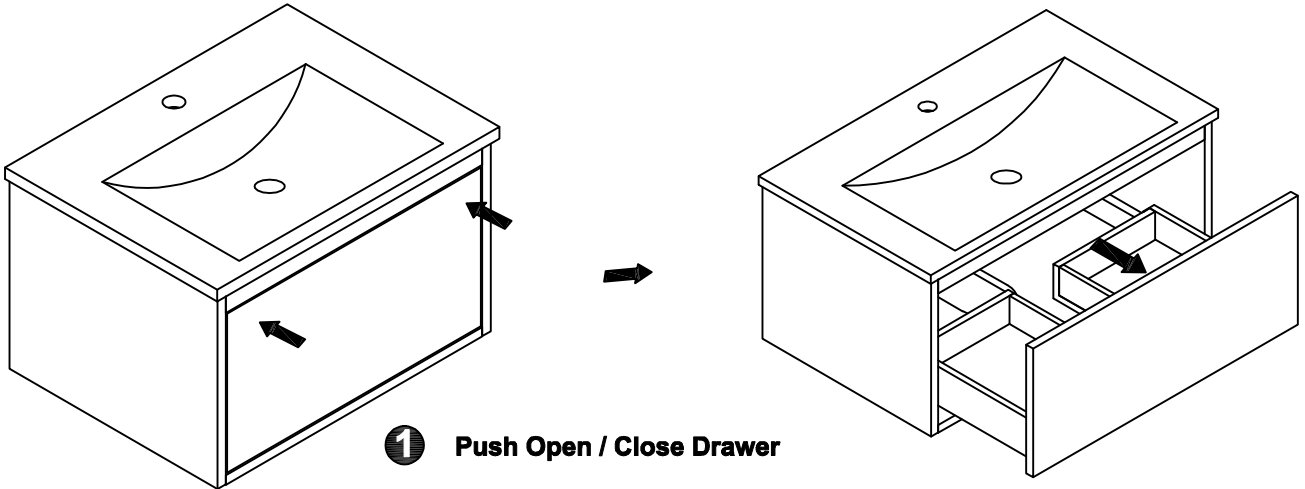


D



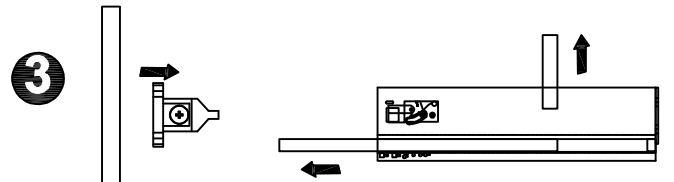
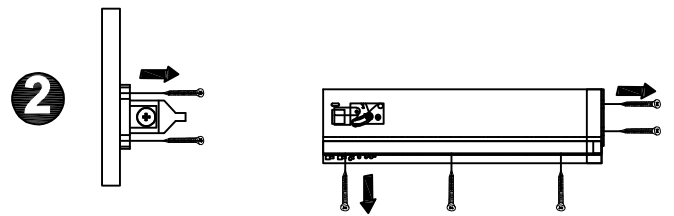
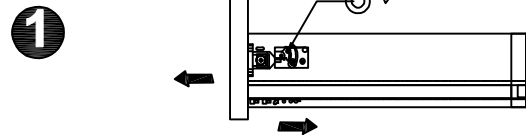
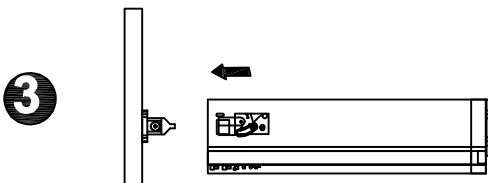
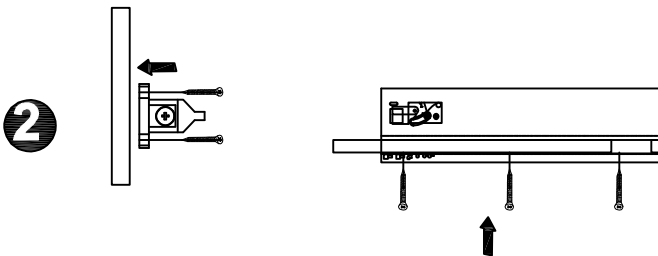
DRAWER

A



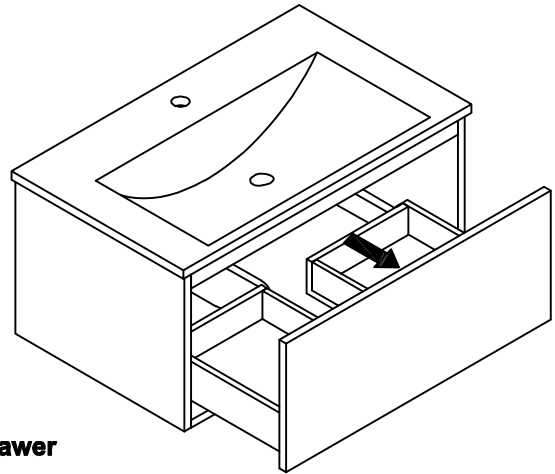
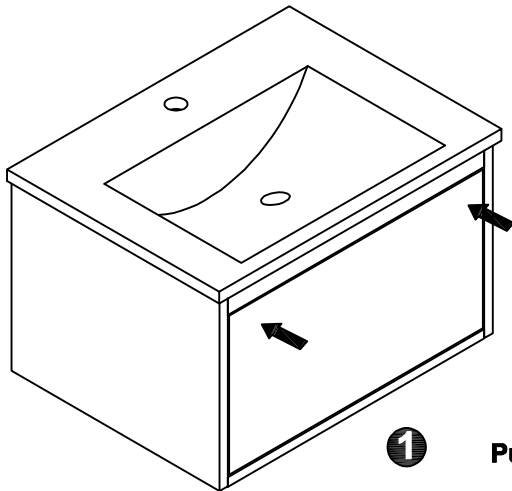
INSTALL

REMOVE



DRAWER

A

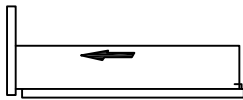


1

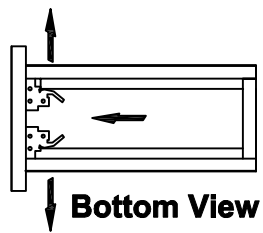
Push Open / Close Drawer

INSTALL

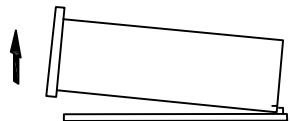
1



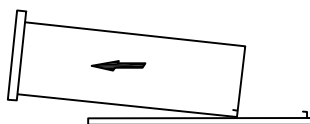
2



3

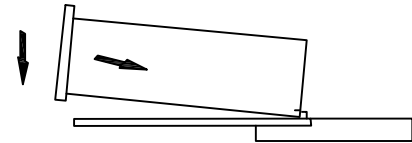


4

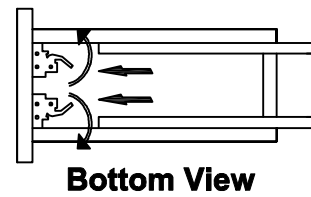


REMOVE

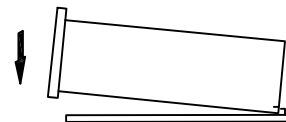
1



2



3



4

