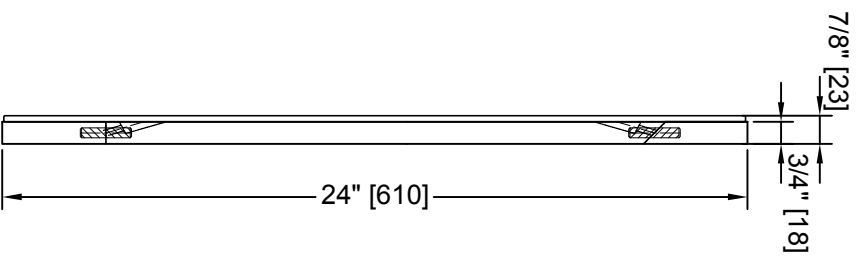
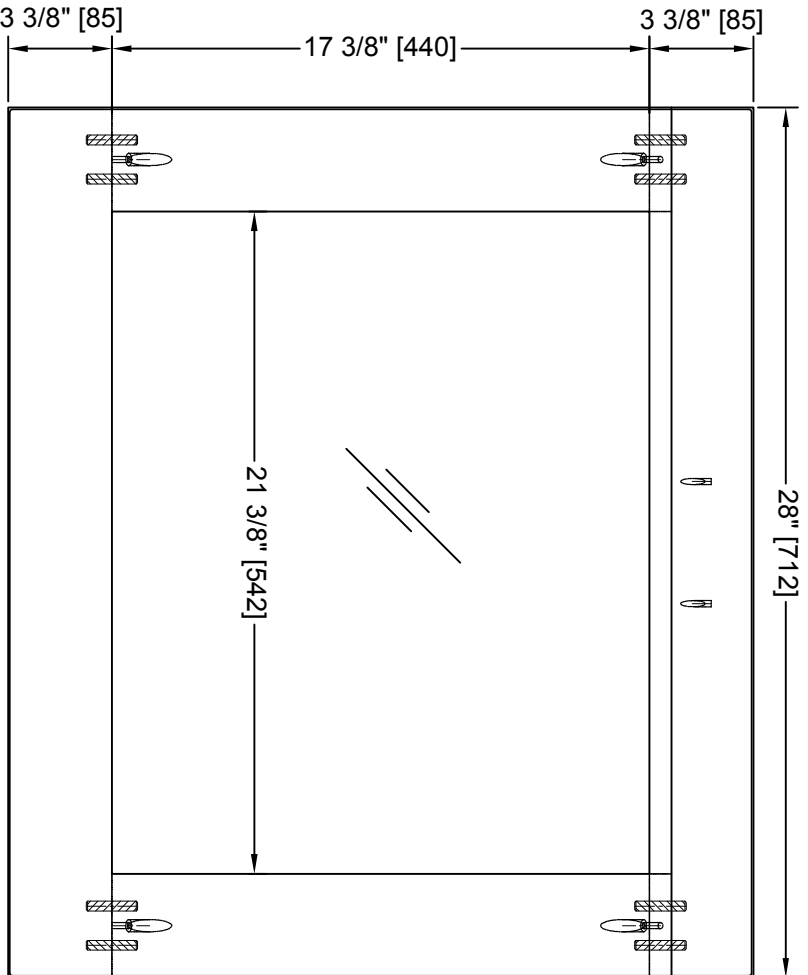
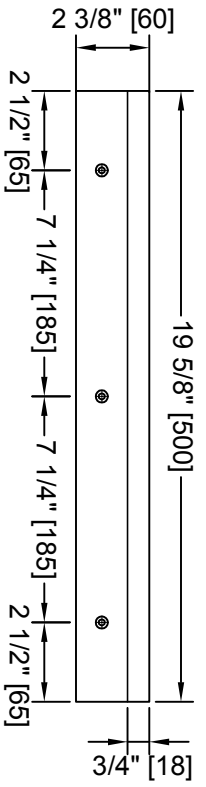




LEXORA®

HOME DECOR & HOME FURNISHINGS



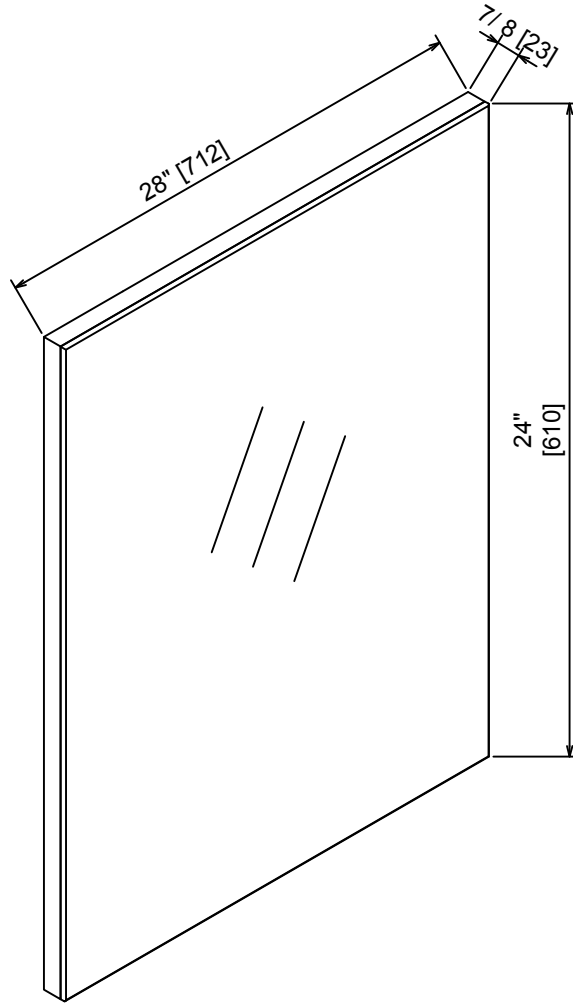
LLC2824FRM



LEXORA®

HOME DECOR & HOME FURNISHINGS

LLC2824FRM



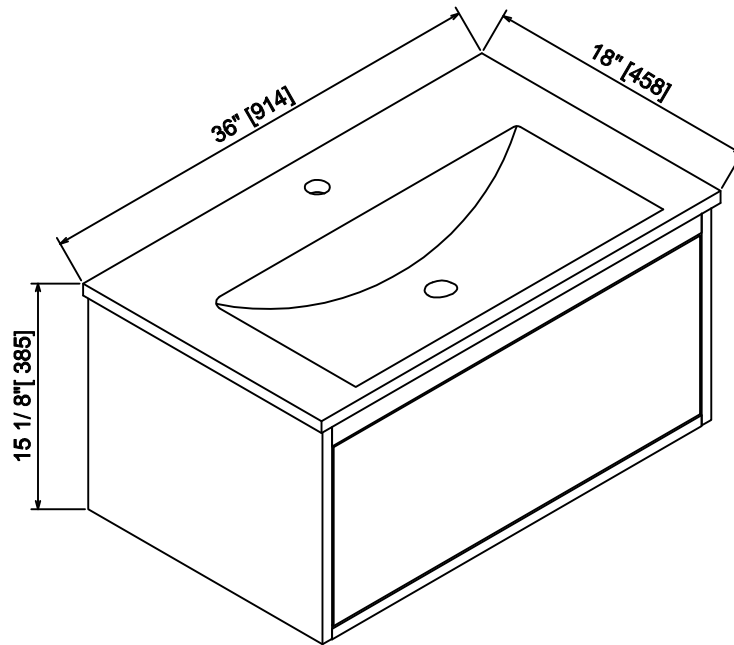
PART	DESCRIPTIONS	QUANTITY
A	Mirror	1
B	Cleat Wood	1
	HARDWARE	
C	Crew	3
D	Plastic Plug	3



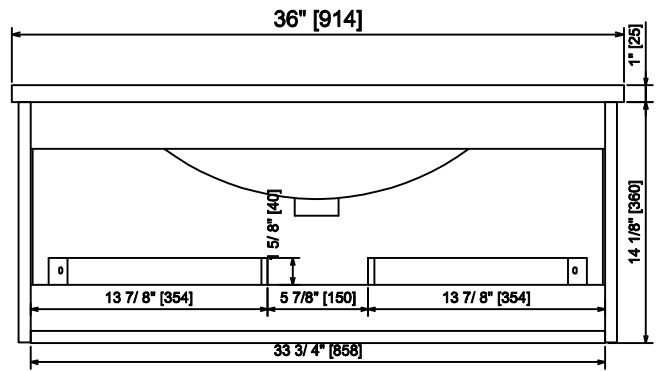
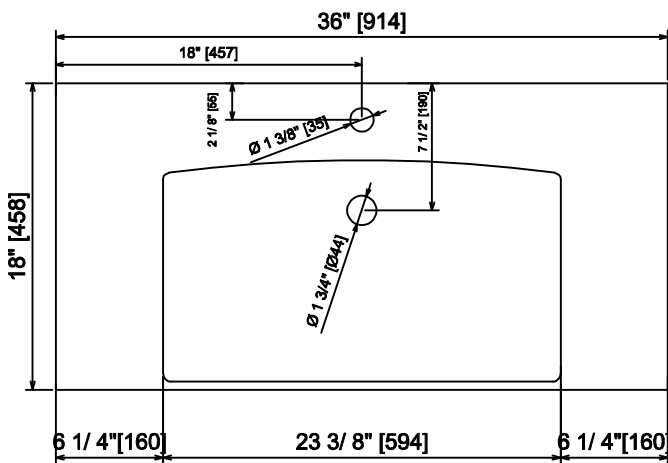
LEXORA®

HOME DECOR & HOME FURNISHINGS

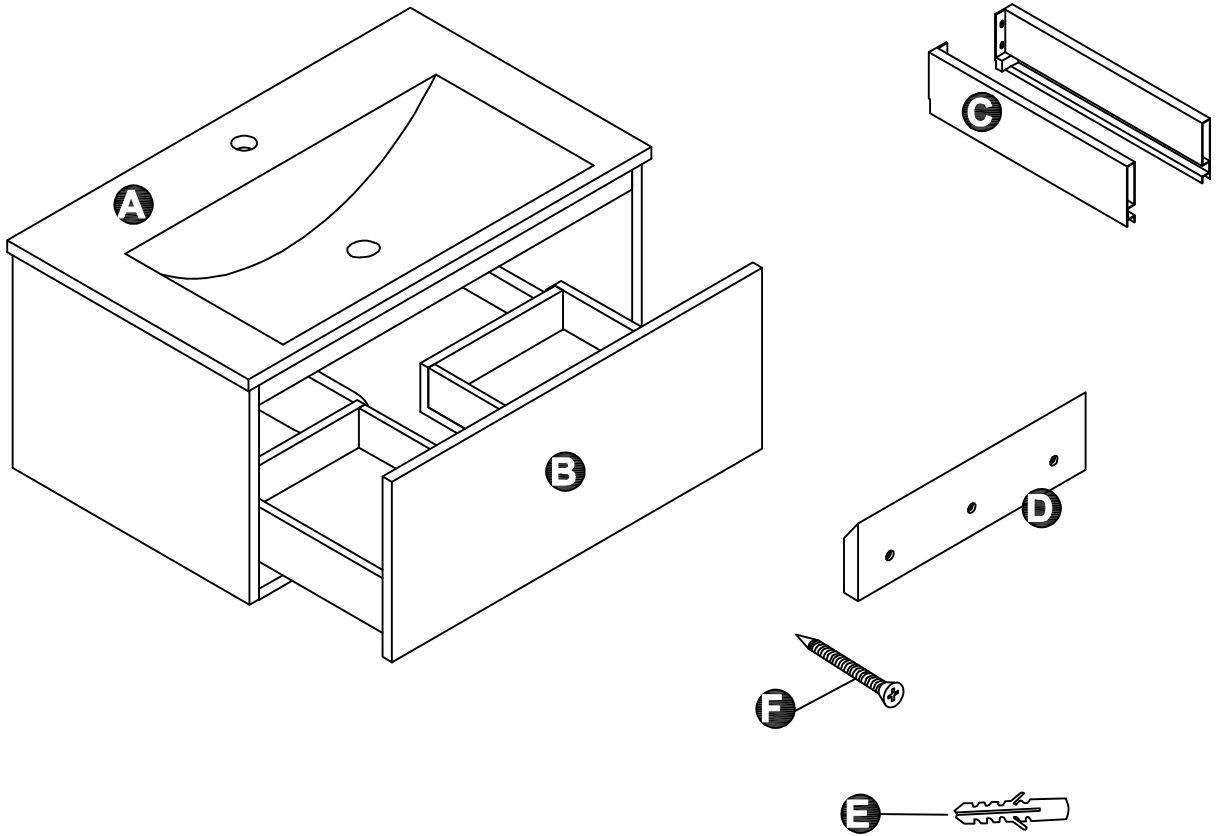
LSC36SRAOS000



DIMENSIONS



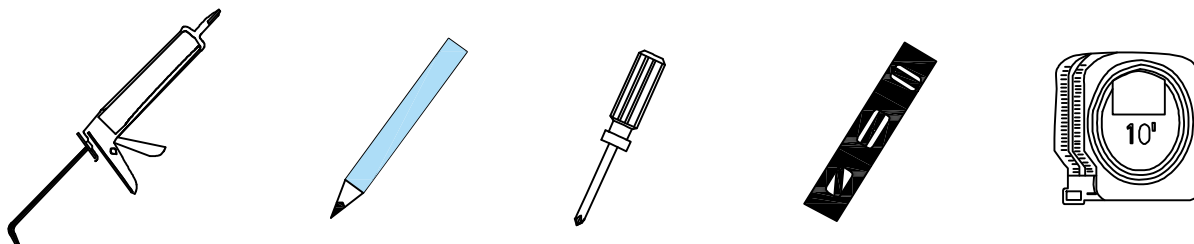
PART LIST



PART	DESCRIPTIONS	QUANTITY
A	Composite Sink	1
B	Drawer	2
C	Drawer glides	2

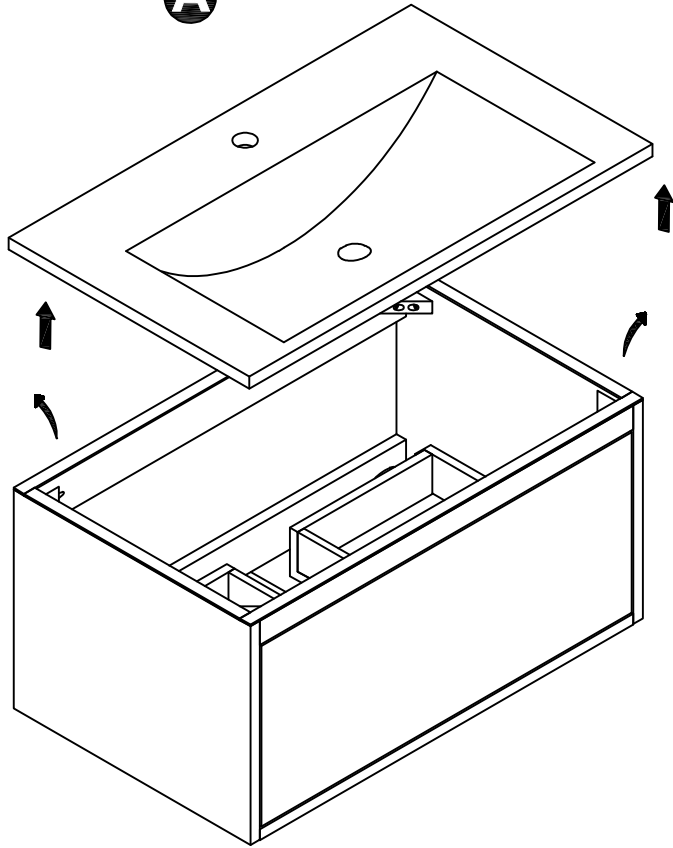
PART	DESCRIPTIONS	QUANTITY
D	Cleat Wood	1
E	Plastic Plug	3
F	Screw	3

TOOLS REQUIRED (NOT INCLUDED)



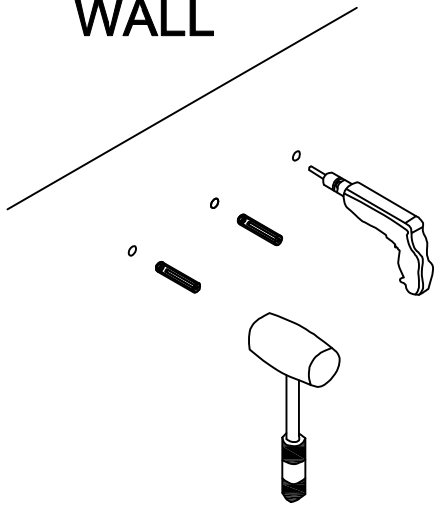
INSTALLATION

A

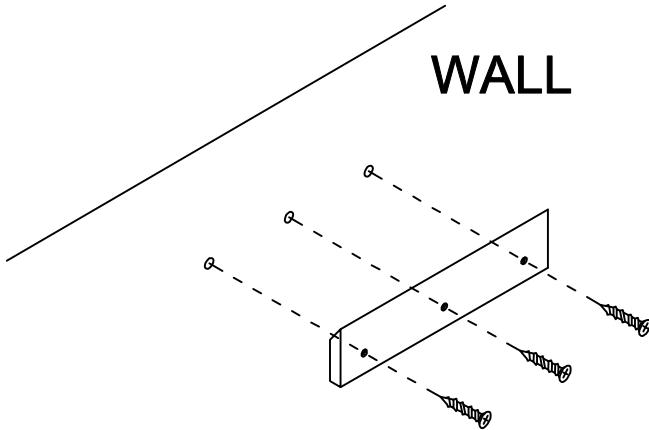


B

WALL



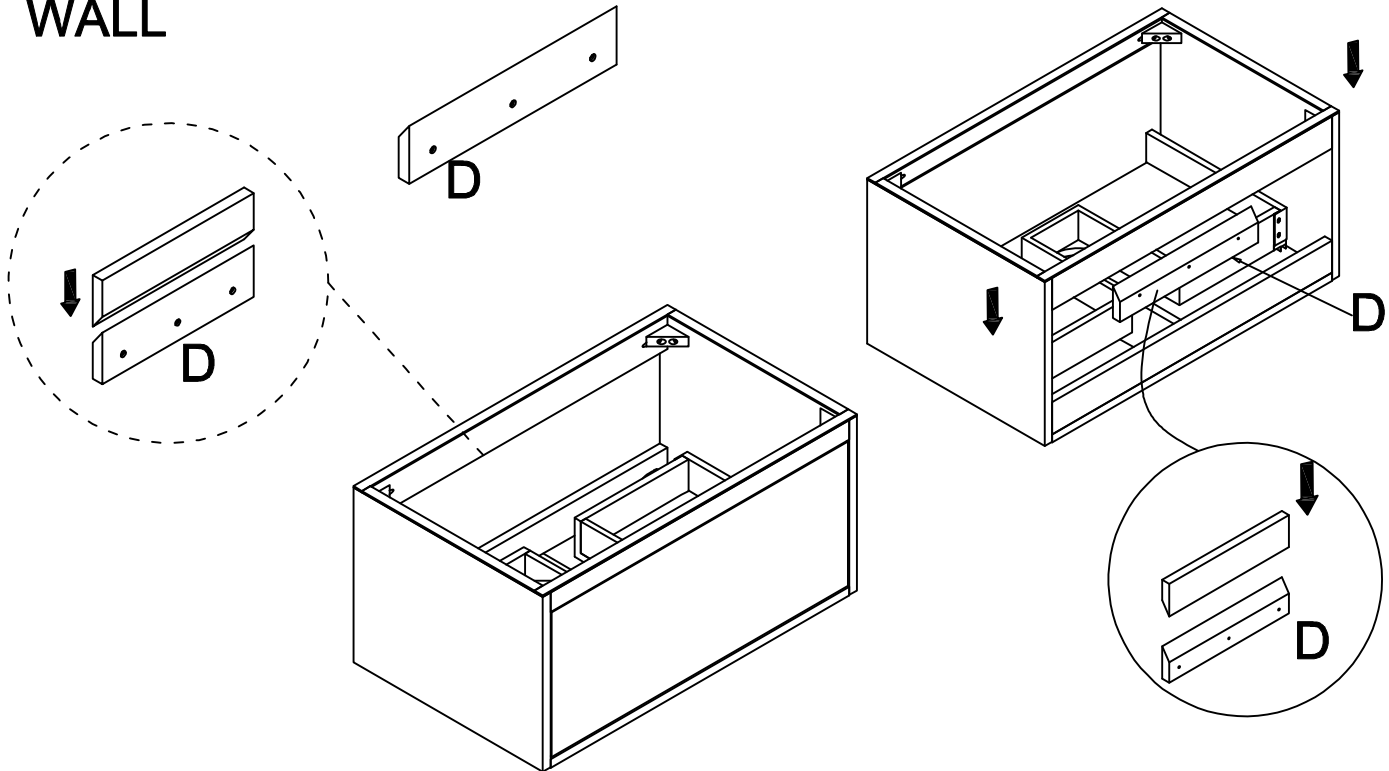
WALL



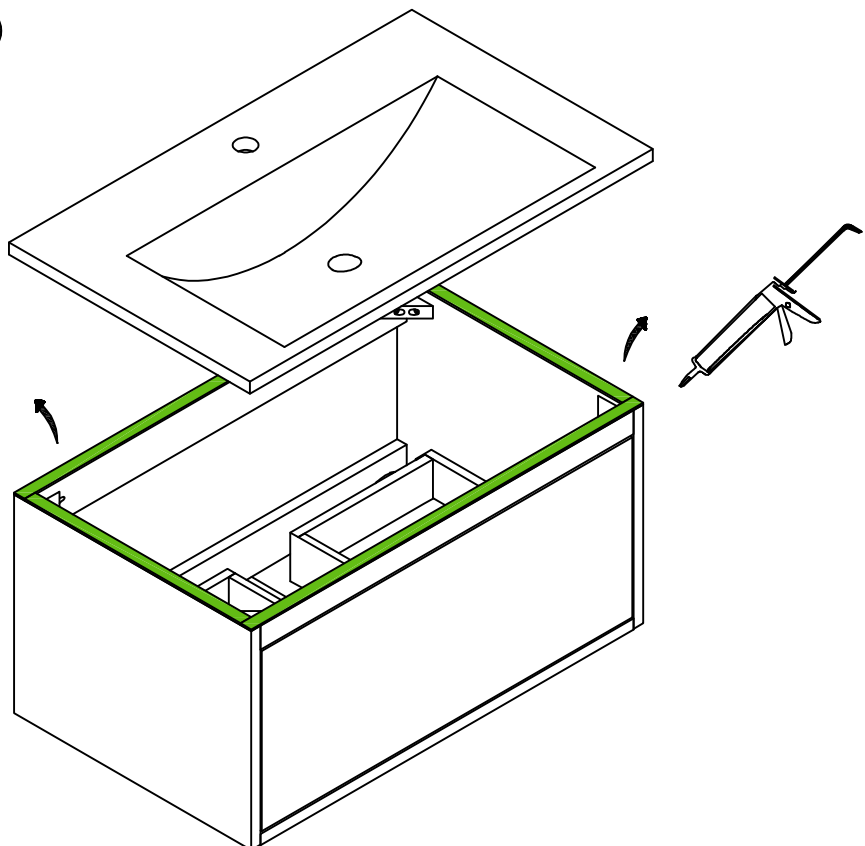
INSTALLATION

WALL

C

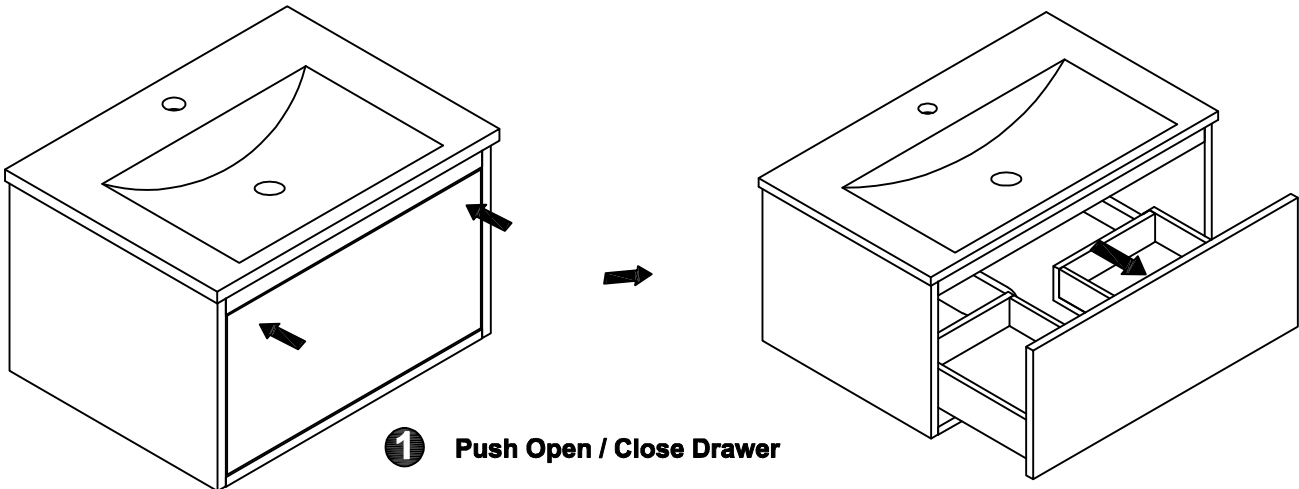


D



DRAWER

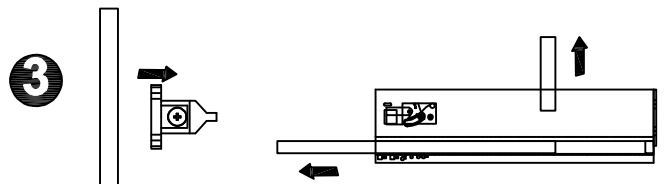
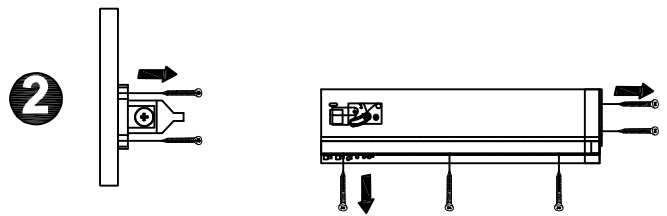
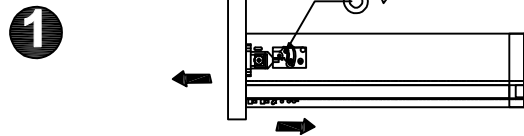
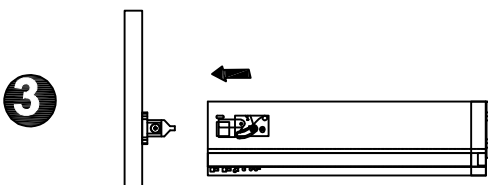
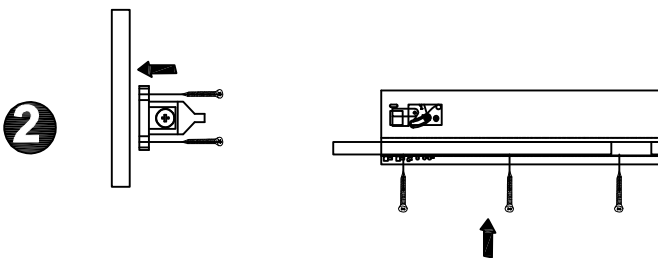
A



1 Push Open / Close Drawer

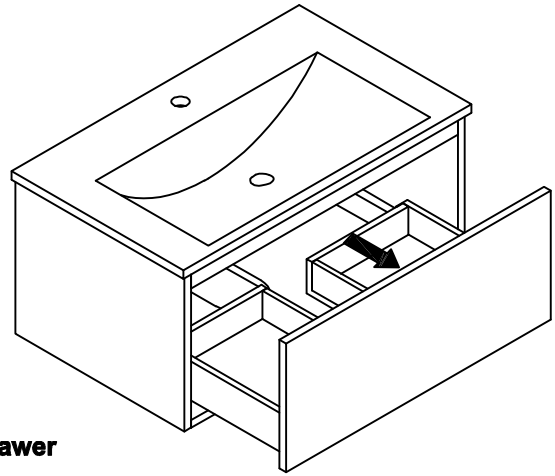
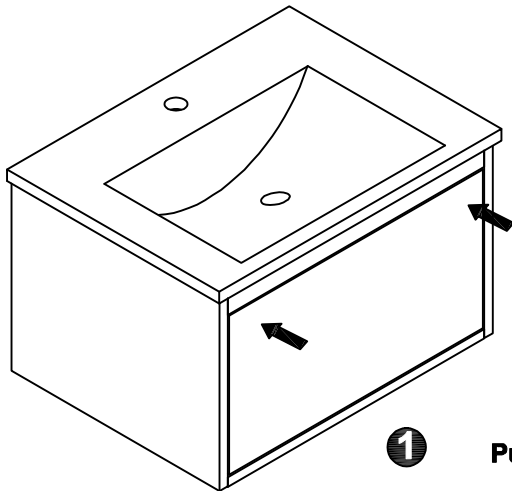
INSTALL

REMOVE



DRAWER

A

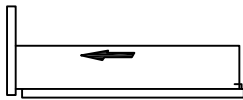


1

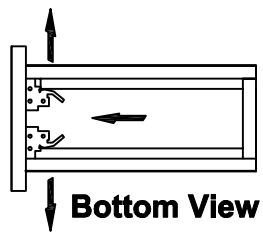
Push Open / Close Drawer

INSTALL

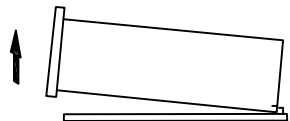
1



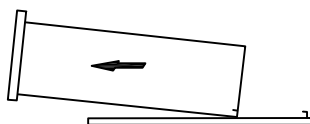
2



3

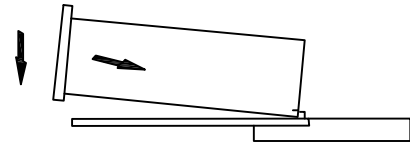


4

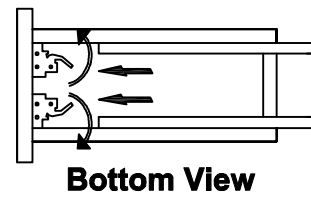


REMOVE

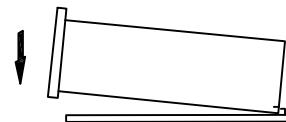
1



2



3



4

