



MAIDSTONE

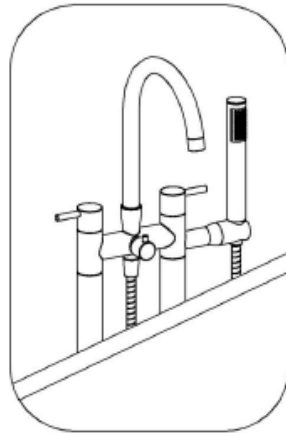
Contemporary Double Post Freestanding Faucet Installation Guide

Confirm:

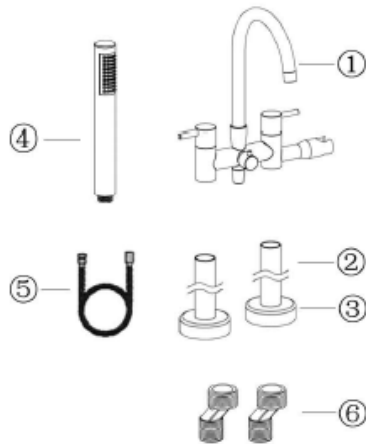
Inspect the faucet make and model number within 48 hours. Inspect the faucet parts and accessories package with the part list within 48 hours. All pipe rough-ins are in the proper location. The height of this product should match the height of the bathtub.

Caution:

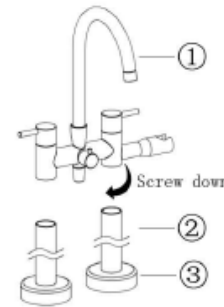
Handle all parts with care
 Read all instructions before installing
 Properly test all water connections
 No soldering or heat is required for this product
 Do not over tighten pipe connection
 All locale and state plumbing codes apply



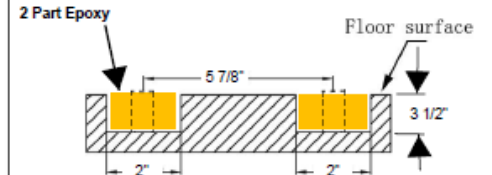
NO.	Parts Name	Qty
1	Faucet Spout & Body	1
2	Riser Tube	2
3	Floor Escutcheon	2
4	Hand Held Shower	1
5	Shower Hose	1
6	Offset Swing Arms	2



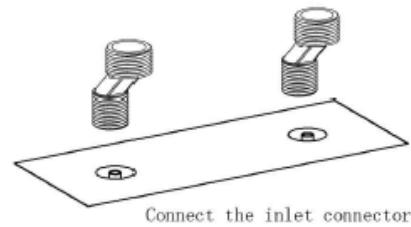
Step 1: Connect the straight riser tubes (2) to the faucet body (1) and tighten. Slip the floor escutcheons (3) over the riser tubes (2).



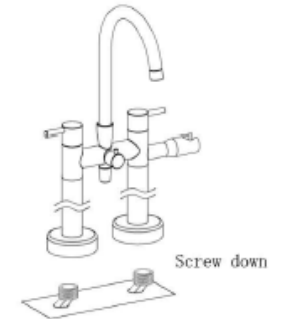
Step 2: Layout and rough-in hot and cold water supply lines as per the detail shown below.
Notes:
 Install the offset swing arms as per Steps 3 & 4. Fill the pipe penetration floor cavities to floor level with 2 part epoxy and let set for 24 hours.



Step 3: Connect the offset swing adapters to the rough-in water supply piping as shown in Step 4 and tighten.



Step 4: Connect the the riser tube unions (2) to the offset swing arms (6) and tighten. Lower the floor escutcheons (3) down onto the finished floor.



Step 5: Connect the shower hose side (5) onto the faucet body (1) and tighten snugly. Connect the shower hose side (5) onto the hand held shower (4) and tighten snugly.



Completed Faucet

