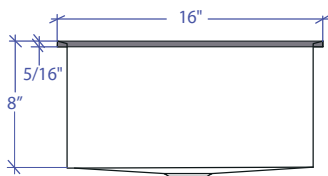
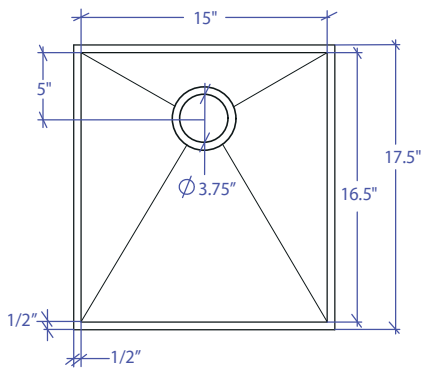




\*Flush-Mount Installation Kit is included with each sink  
\*Custom ADA compliant versions are available



### • FEATURES

- 16-gauge type 304 stainless steel
- Hollow 304 stainless steel support beam
- Bevel basin design

### • TECHNICAL INFORMATION

- External dimension: 16"Lx17.5"Wx8"D
- Basin dimensions: 15"Lx16.5"Wx8"D
- Frame width: 1/2"
- Frame thickness: 5/16"

### • FINISHES

- Graphite PVD Satin Brushed stainless steel

### • INSTALLATION OPTIONS

- Flush-mount

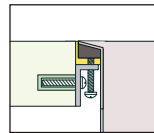
### • MINIMUM CABINET SIZE (I.D.)

- Flush-mount 19"

### • INDUSTRY'S ONLY STAINLESS STEEL SINK DESIGNED SPECIFICALLY TO BE FLUSH-MOUNTED

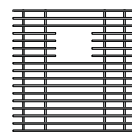
### • INTERNATIONAL PATENT PENDING

### • FLUSH-MOUNT INSTALLATION

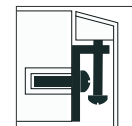


Flush-mount

### • ACCESSORIES



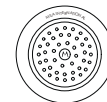
MBG-6502GPSB  
Basin Grid



Flush Mount Kit  
**(Included)**  
MTR-615AL



MCB-651BB  
Cutting Board



MKD-101GPSB  
Strainer



MDC-101GPSB  
Disposal Collar

PROJECT INFORMATION			
Project			
Date	/ /	QTY	
Specifier			
Contact			
Note			