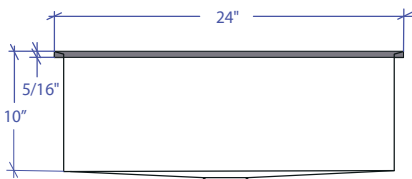
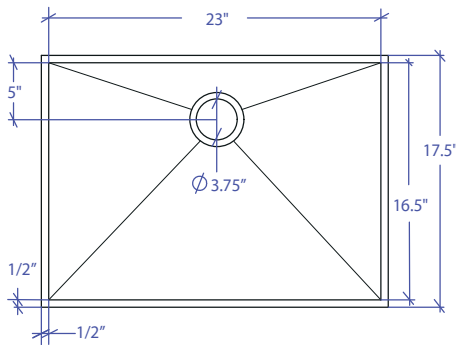


LOUVRE

MLFS-654GPSB



*Flush-Mount Installation Kit is included with each sink
*Custom ADA compliant versions are available



• FEATURES

- 16-gauge type 304 stainless steel
- Hollow 304 stainless steel support beam
- Bevel basin design

• TECHNICAL INFORMATION

- External dimension: 24"Lx17.5"Wx10"D
- Basin dimensions: 23"Lx16.5"Wx10"D
- Frame width: 1/2"
- Frame thickness: 5/16"

• FINISHES

- Graphite PVD Satin Brushed stainless steel

• INSTALLATION OPTIONS

- Flush-mount

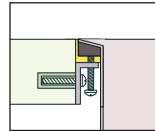
• MINIMUM CABINET SIZE (I.D.)

- Flush-mount 27"

• INDUSTRY'S ONLY STAINLESS STEEL SINK DESIGNED SPECIFICALLY TO BE FLUSH-MOUNTED

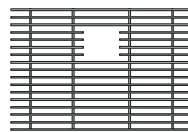
• INTERNATIONAL PATENT PENDING

• FLUSH-MOUNT INSTALLATION

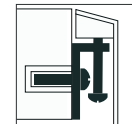


Flush-mount

• ACCESSORIES



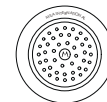
MBG-6509GPSB
Basin Grid



Flush Mount Kit
(Included)
MTR-617AL



MCB-651BB
Cutting Board



MKD-101GPSB
Strainer



MDC-101GPSB
Disposal Collar

PROJECT INFORMATION			
Project			
Date	/ /	QTY	
Specifier			
Contact			
Note			