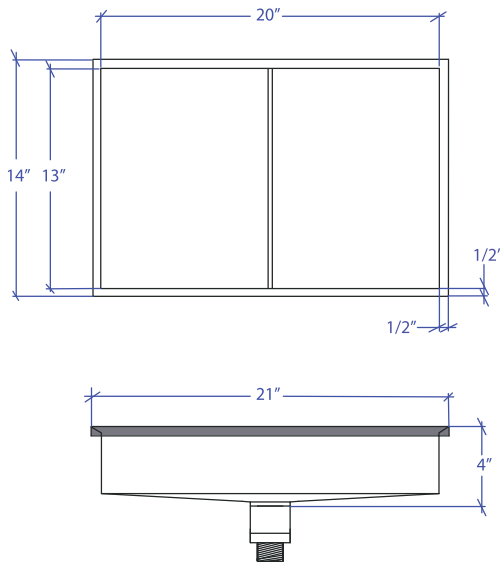


# LOUVRE MLFB-302SB



\*ADA compliant



## • FEATURES

- 16-gauge type 304 stainless steel
- Hollow 304 stainless steel support beam
- Bevel basin design

## • TECHNICAL INFORMATION

- External dimension: 21"Lx14"Wx4"D
- Basin dimensions: 20"LX13"WX4"D
- Frame width: 1/2"
- Frame thickness: 5/16"

## • FINISHES

- Satin Brushed stainless steel

## • INSTALLATION OPTIONS

- Flush-mount

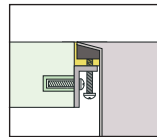
## • MINIMUM CABINET SIZE (I.D.)

- Flush-mount 24"

## • INDUSTRY'S ONLY STAINLESS STEEL SINK DESIGNED SPECIFICALLY TO BE FLUSH-MOUNTED

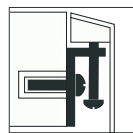
## • INTERNATIONAL PATENT PENDING

## • FLUSH-MOUNT INSTALLATION



Flush-mount

## • ACCESSORIES



Flush Mount Kit  
(Included)  
MTK-302AL

PROJECT INFORMATION			
Project			
Date	/ /	QTY	
Specifier			
Contact			
Note			