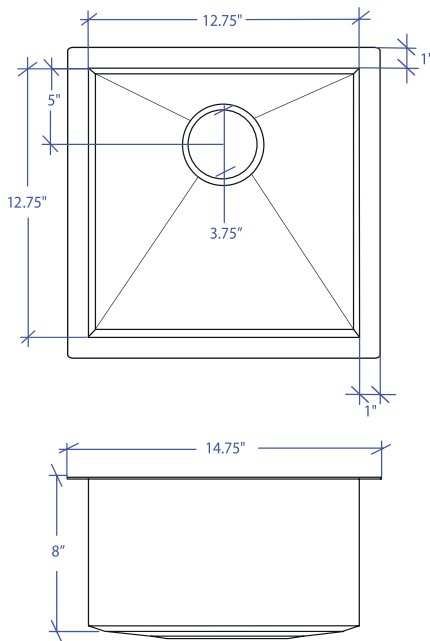


# ORION MOEU-301GPSB



\*Custom ADA compliant sinks are available



## • FEATURES

16-gauge type 304 stainless steel  
Bevel basin design

## • TECHNICAL INFORMATION

External dimension: 14.75"Lx14.75"Wx8"D  
Basin dimensions: 12.75"Lx12.75"Wx8"D

## • FINISHES

Gray PVD Satin Brushed stainless steel

## • INSTALLATION OPTIONS

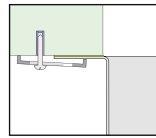
Top-mount  
Under-mount

## • MINIMUM CABINET SIZE (I.D.)

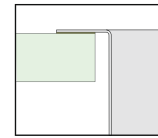
Top-mount 15.75"  
Under-mount 17.75"

## • US DESIGN PATENT D618,324 S

## • DUAL-MOUNT INSTALLATION

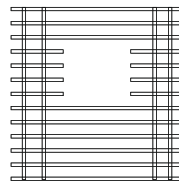


Under-mount

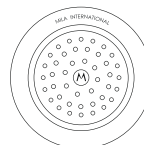


Top-mount

## • ACCESSORY OPTIONS



MBG-032GPSB  
Basin Grid



MKD-101GPSB  
Strainer

PROJECT INFORMATION			
Project			
Date	/ /	QTY	
Specifier			
Contact			
Note			

ENTERTAINMENT DUAL-MOUNT