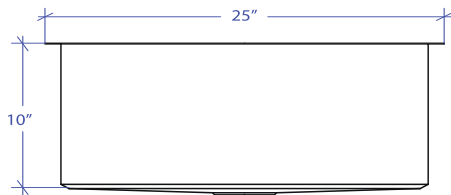
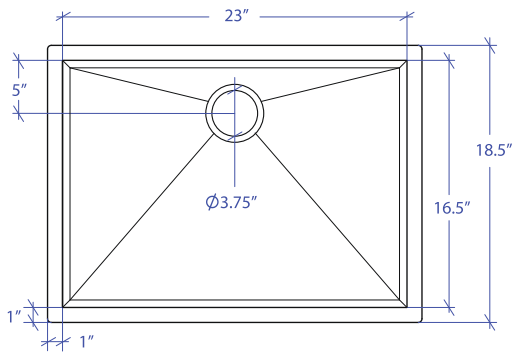


# ORION MOUS-653SB



\*Custom ADA compliant sinks are available



## • FEATURES

16-gauge type 304 stainless steel  
Bevel basin design

## • TECHNICAL INFORMATION

External dimension: 25"Lx18.5"Wx10"D  
Basin dimensions: 23"Lx16.5"Wx10"D

## • FINISHES

Satin Brushed stainless steel

## • INSTALLATION OPTIONS

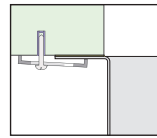
Top-mount  
Under-mount

## • MINIMUM CABINET SIZE (I.D.)

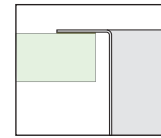
Top-mount 26"  
Under-mount 28"

## • US DESIGN PATENT D618,324 S

## • DUAL-MOUNT INSTALLATION

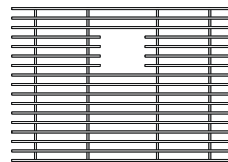


Under-mount



Top-mount

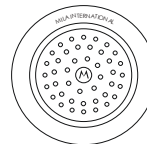
## • ACCESSORY OPTIONS



MBG-6509SB  
Basin Grid



MCB-651BB  
Cutting Board



MKD-101SB  
Strainer

| PROJECT INFORMATION |     |     |  |
|---------------------|-----|-----|--|
| Project             |     |     |  |
| Date                | / / | QTY |  |
| Specifier           |     |     |  |
| Contact             |     |     |  |
| Note                |     |     |  |