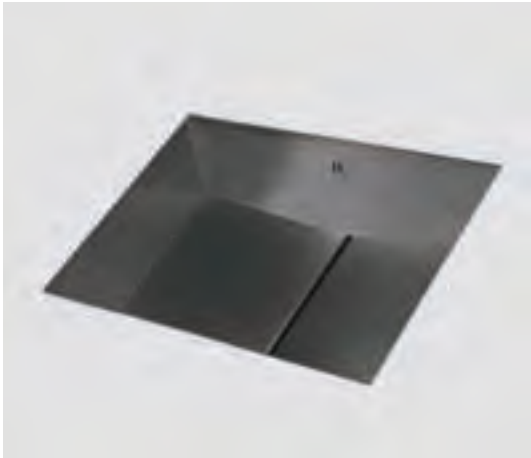
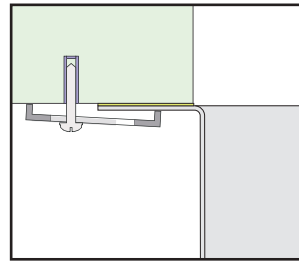
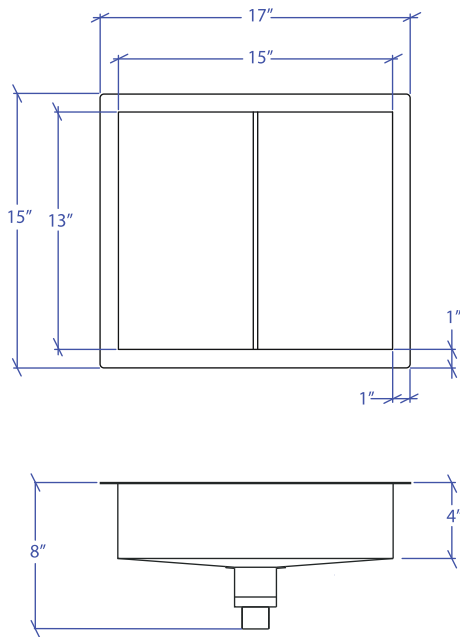


# FLATIRON MUB-301GPSB

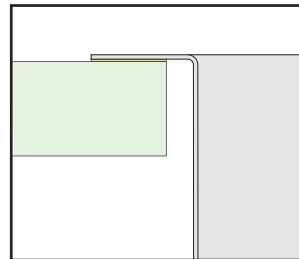


\*ADA compliant

- **FEATURES**  
16-gauge type 304 stainless steel  
90° zero radius design
- **TECHNICAL INFORMATION**  
External dimension: 17"Lx15"Wx4"D  
Basin dimensions: 15"Lx13"Wx4"D
- **FINISHES**  
Gray PVD Satin Brushed stainless steel
- **INSTALLATION OPTIONS**  
Top-mount  
Under-mount
- **MINIMUM CABINET SIZE (I.D.)**  
Flush-mount 18"  
Top-mount 20"
- **DUAL-MOUNT INSTALLATION**



Under-mount



Top-mount

PROJECT INFORMATION			
Project			
Date	/ /	QTY	
Specifier			
Contact			
Note			