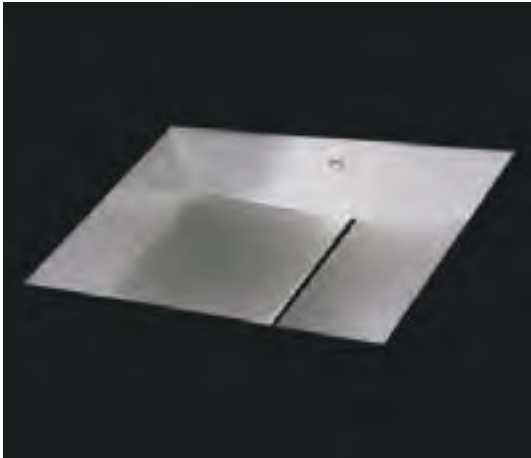
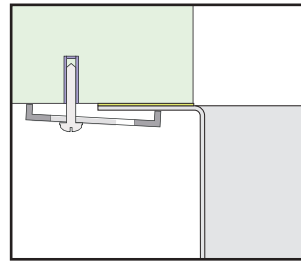
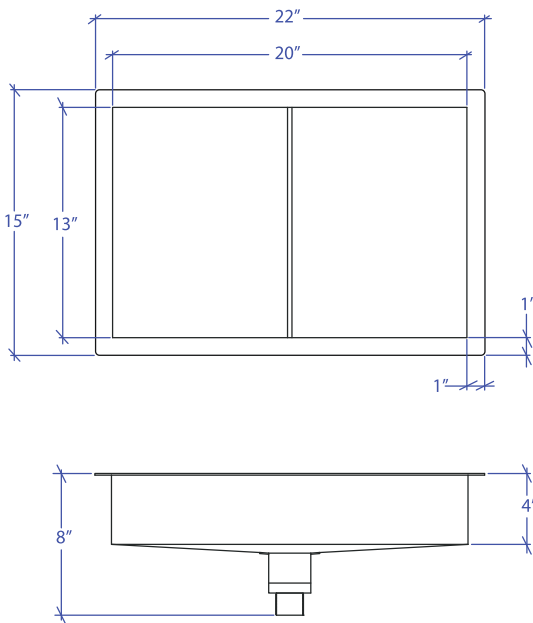


# FLATIRON MUB-302SB

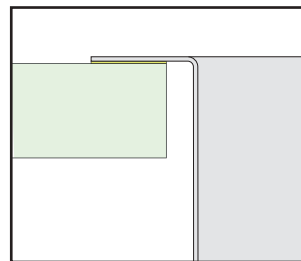


\*ADA compliant

- FEATURES**  
 16-gauge type 304 stainless steel  
 90° zero radius design
- TECHNICAL INFORMATION**  
 External dimension: 22"Lx15"Wx4"D  
 Basin dimensions: 20"Lx13"Wx4"D
- FINISHES**  
 Satin Brushed stainless steel
- INSTALLATION OPTIONS**  
 Top-mount  
 Under-mount
- MINIMUM CABINET SIZE (I.D.)**  
 Flush-mount 23"  
 Top-mount 25"
- DUAL-MOUNT INSTALLATION**



Under-mount



Top-mount

| PROJECT INFORMATION |     |     |  |
|---------------------|-----|-----|--|
| Project             |     |     |  |
| Date                | / / | QTY |  |
| Specifier           |     |     |  |
| Contact             |     |     |  |
| Note                |     |     |  |