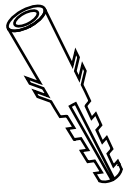


Following these mounting instructions with the hardware included will be more than sufficient to support wall mounted installation.

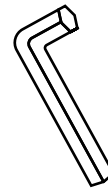
#### Included Installation Hardware



x4 screw

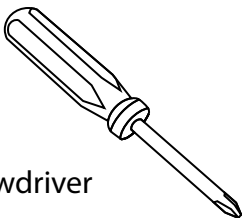


x4 wall anchor



x1 allen wrench

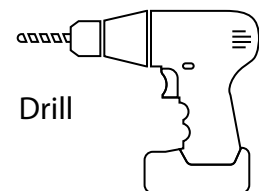
#### Tools You May Need



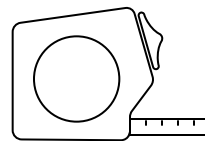
Screwdriver



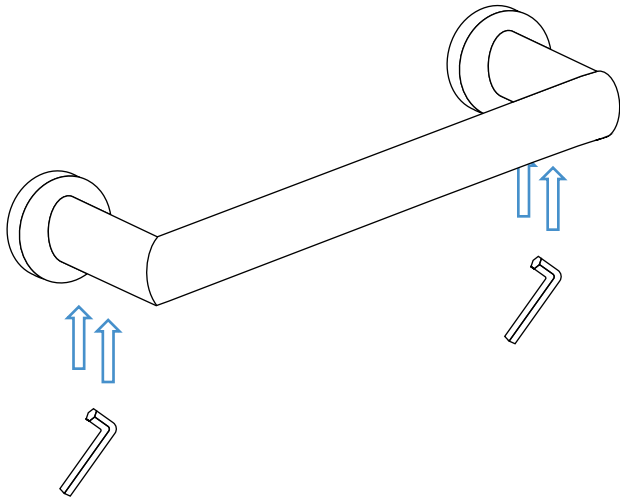
Level



Drill



Tape Measure



## 1. Disassemble

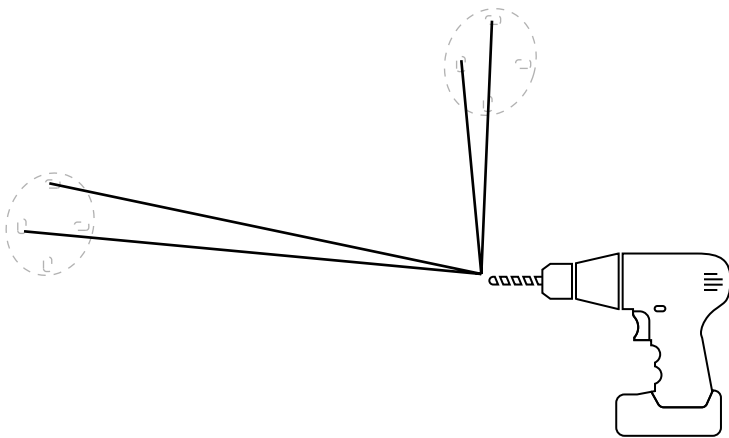
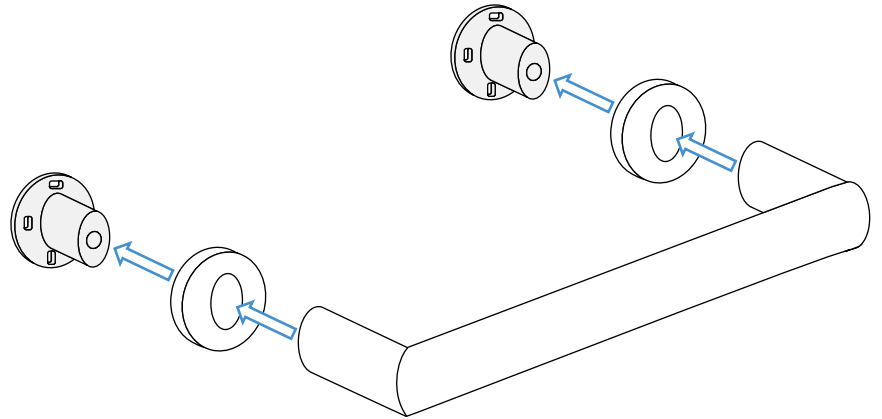
---

Put the included allen wrench into the four screws on the bottom of the right and left side of body and turn clockwise to disassemble the base from the mounting piece.

## 2. Remove Bracket

---

Pull mounting bracket from both sides of towel bar.



## 3. Drill Anchor Holes

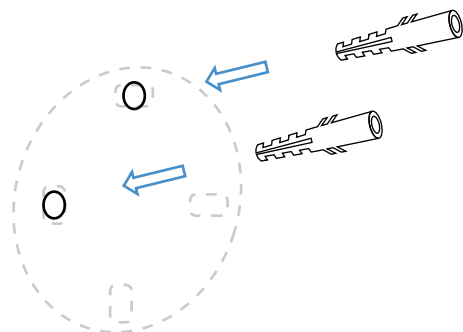
---

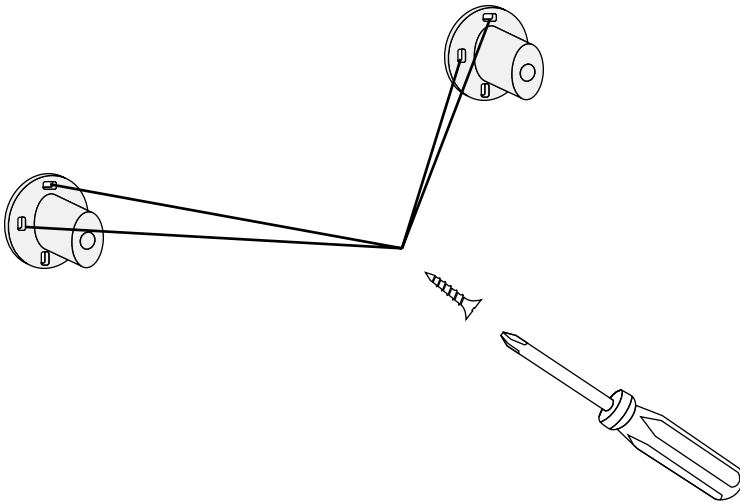
Identify installation location. Mark mounting brackets on wall and drill holes the size of the anchors.

## 4. Install Anchors

---

Tap anchors into predrilled holes.





## 5. Mount Brackets

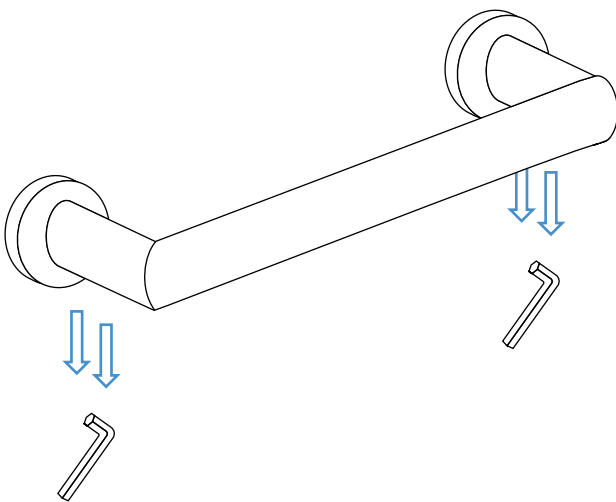
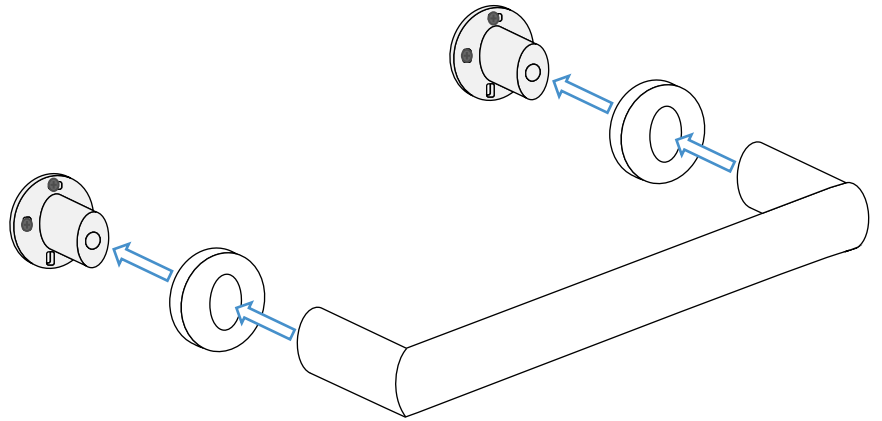
---

Mount brackets with screws.

## 6. Mount Towel Bar

---

Install towel bar over mounting bracket.



## 7. Tighten Screws

---

Tighten four (4) screws with allen wrench included by turning counterclockwise.